



PVC WINDOWS / PVC TERRACE SYSTEMS



PVC WINDOWS PVC TERRACE SYSTEMS

MADE WITH PASSION
AND EXPERIENCE



Quality

The latest technology, the best materials and production control at each stage, as well, as our own research laboratories are the guarantee of quality.



Service

Professional and fast service is Drutex's calling card, which has been setting trends in pre- and post-sale customer services for many years now.



Security

The windows and terrace systems are equipped with reliable fittings and locks, which ensures security.



Smart Home

Intelligent control of doors, windows, roller shutters, venetian blinds, mosquito nets, gates, wickets, and lighting by means of a smartphone.



Official Partner of FC Bayern

ul. Leszka Gierszewskiego 1, 77-100 Bytow

+48 59 822 91 01

SINCE 1985

The information presented in this advertising material are informative and illustrative only.
The product specification should be verified with the technical data specified by the manufacturer.

TABLE OF CONTENTS



PVC WINDOWS	4	PVC TERRACE SYSTEMS	36
IGLO EDGE NEW	6	IGLO-HS	38
IGLO ENERGY		IGLO-HS ALUCOVER NEW	42
IGLO ENERGY CLASSIC	10	IGLO ENERGY PSK	
IGLO ENERGY ALUCOVER	12	IGLO ENERGY CLASSIC PSK	46
IGLO 5		IGLO 5 PSK	
IGLO 5 CLASSIC	16	IGLO 5 CLASSIC PSK	50
IGLO LIGHT	20	IGLO LIGHT PSK	54
IGLO PREMIER	24	IGLO SLIDE	56
IGLO EXT	28	IGLO EDGE SLIDE NEW	60
IDEAL NEO MD	32		

EXTRAS	64
MUNTIN BARS	66
BALCONY THRESHOLDS	68
NON-STANDARD DESIGNS	70
FITTINGS	72
RENOVATION AND ADAPTATION FRAMES	74
VENTILATION	76
GLASS PANES	78
COLOURS	80
HANDLES	81
GLASS-PANE SPACERS	82
RECTANGULAR GLAZING BEAD	83
SMART HOME	84

INFORMATION	86
COMPARISON OF PVC SYSTEMS:	
■ WINDOWS	86
■ TERRACES	88
OTHER PRODUCTS	90
ABOUT US	96



PVC WINDOWS

Our original PVC windows are the result of our in-house development department and research laboratory. All profiles are A-class, made exclusively from primary material. More than 30 veneer colours provide the perfect match for any architectural style. Millions of satisfied customers and independent experts all over the world have recognised the highest quality, excellent thermal and sound insulation parameters, high aesthetics of workmanship, durability and reliability of our PVC joinery. See for yourself, choose Drutex windows.

EXTRAS
page 64

Our new, most technologically advanced window is distinguished by an excellent thermal insulation parameter of $U_w = 0,66 \text{ W/(m}^2\text{K)}^*$ and a modern, angular profile shape.

The extremely good thermal insulation parameters are due, among other things, to the 7-chamber profile design and 3 EPDM gaskets, including the central gasket.



TECHNICAL DATA



82 mm
installation depth



$U_w 0,66 \text{ W/(m}^2\text{K)}^*$
thermal transmittance

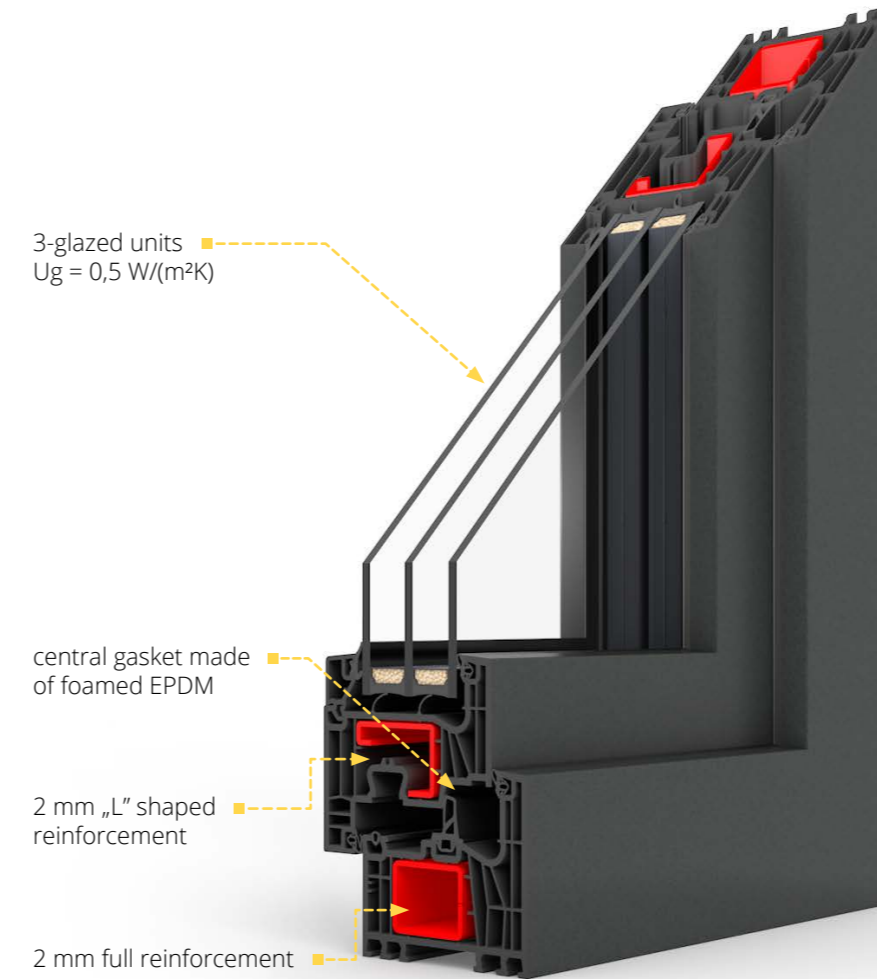
*More data at page 86.



SYSTEM STRUCTURE

7-chamber frame and sash profiles, with an installation depth of 82 mm. The system is equipped with a specially designed triple gasket: external and internal with EPDM and central with foamed EPDM.

IGLO EDGE



Standard:

- MACO MULTI-MATIC KS fittings with 4 anti-burglary strikers
- Silber-Look anti-corrosion coating for long-lasting protection and smooth operation
- Double-glazed unit with $U_g = 0.5 \text{ W/m}^2\text{K}$
- Swisspacer Ultimate warm-edge spacer
- V-perfect welding
- 4 anti-burglary strikers, depending on sash size and hardware system
- Micro-ventilation
- DUBLIN aluminum window handle
- Handle mispositioning block mechanism
- Perimeter, glazing bead, and central gaskets in black or grey
- Bottom hardware groove filling
- Window sill support profile
- Wide range of PVC foil colors
- 3 profile colors available: white, brown, or anthracite



ADDITIONAL OPTIONS IGLO EDGE



option of using glazed units with a thickness from 48 mm to 58 mm



option of using glass panes with improved sound insulation, laminated (safety and anti-burglary), ornamental, solar control, mirror and sandblasted



option of using MACO Multi-Power concealed hinges in the fittings groove (invisible when the window is closed) as well as COMFORT and TBT fittings



wide range of colours of decorative films



handles for windows with movable post



Option to use internal aluminum glazing bars (muntins) with widths of 8 mm, 18 mm, 26 mm, or 45 mm



wide range of additional profiles (connectors, extensions, sill profiles)



hinge covers in custom colours: titanium, champagne, cream, black and gold



option of selecting a profile core in anthracite or brown



available with roller shutters, Venetian blinds and mosquito nets (p. 92)



option of using ventilators (p. 76)



turn lock



option of providing Smart Home automation (p. 84)



PROFILE **SYSTEMS**
CLASS **IGLO ENERGY**
CLASSIC **IGLO ENERGY CLASSIC**

Innovative, original 7-chamber A-class profile made exclusively from primary material. The world's first system using a central gasket made of foamed EPDM, which is a guarantee of the best energy-saving parameters. Iglo Energy and Iglo Energy Classic windows are distinguished by excellent water tightness parameters, air permeability and wind resistance.



TECHNICAL DATA



82 mm
installation depth



$U_w 0,71 \text{ W/(m}^2\text{K)}$
Iglo Energy
 $U_w 0,73 \text{ W/(m}^2\text{K)}$
Iglo Energy Classic
thermal transmittance



Rw to 46 dB
soundproofing

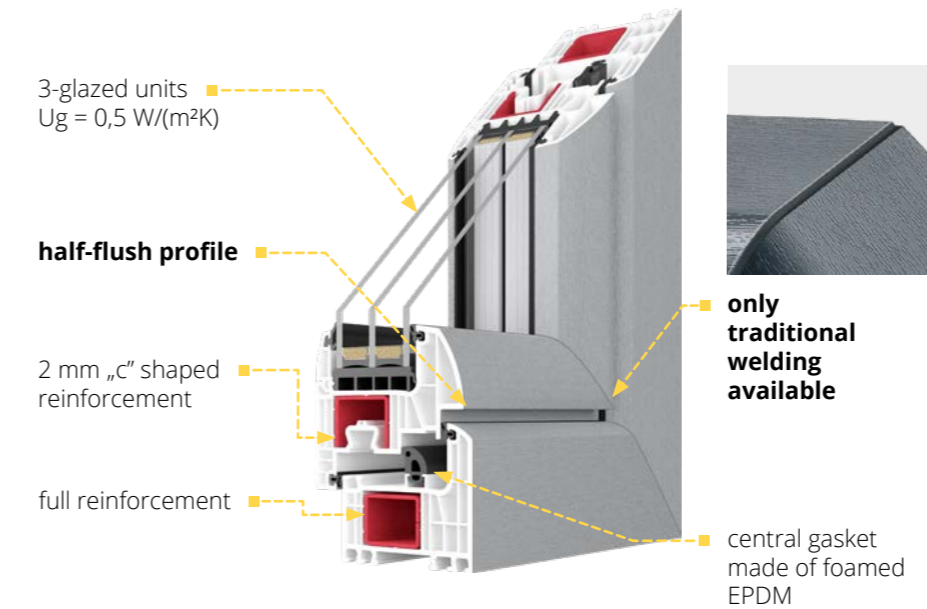
*More data at page 86.



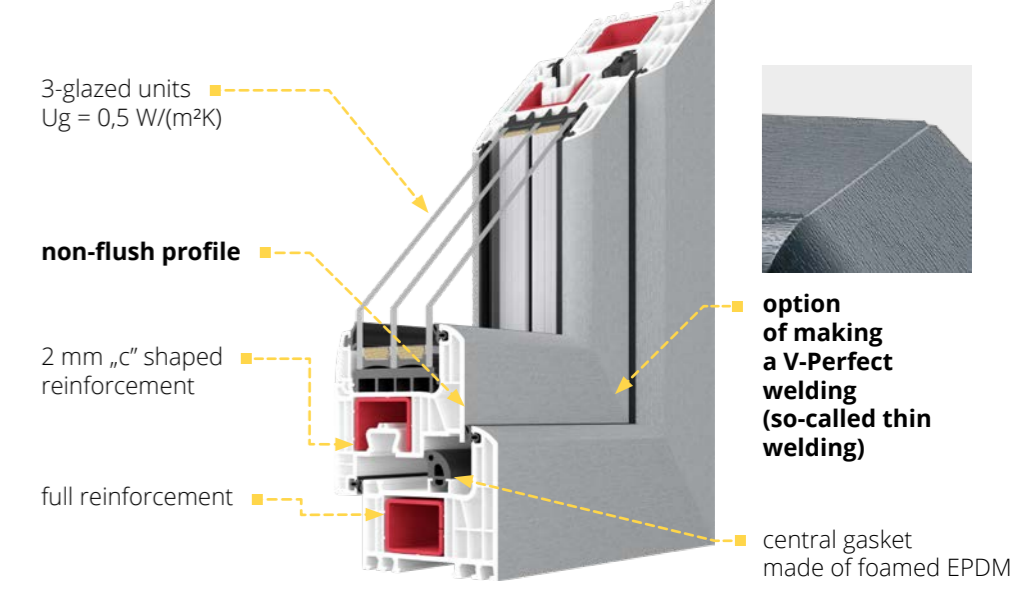
SYSTEM STRUCTURE

7-chamber frame and sash profiles, with an installation depth of 82 mm. The system is equipped with a specially designed triple gasket: external and internal with EPDM and central with foamed EPDM.

IGLO ENERGY



IGLO ENERGY CLASSIC



Standard:

- MACO MULTI-MATIC KS fittings with 4 anti-burglary strikers and Silber-Look anti-corrosion coating for long-lasting protection and smooth operation (depending on window size)
- Sash lifter (handle mispositioning block) depending on window height
- Tilt-and-turn windows with micro-ventilation
- Hinge covers available in 4 colors: white, silver, light brown, brown
- Aluminum handle
- Triple glazing (double-chamber unit) filled with argon, with $U_g = 0.5 \text{ W/(m}^2\text{K)}$
- Swisspacer Ultimate warm-edge plastic spacer
- 2 EPDM gaskets (external and internal) + 1 central foam EPDM gasket, all in black

- Sealing gasket for the bottom hardware groove
- Fully enclosed steel reinforcement in the frame; U-shaped steel reinforcement in the sash
- White profile core
- 5-chamber PVC window sill support strip with gasket

Experience the fusion of cutting-edge thermal insulation performance and contemporary design with Iglo Energy Alucover. Crafted with precision, the aluminium overlay not only enhances the window's resistance against external elements but also optimizes its structural integrity, ensuring a lasting and reliable solution. Embrace boundless creativity with an extensive palette of colors, empowering you to fashion a unique and personalized style for every interior or building facade.



TECHNICAL DATA



93 mm

installation depth



Uw 0,76 W(m²K)*

thermal transmittance

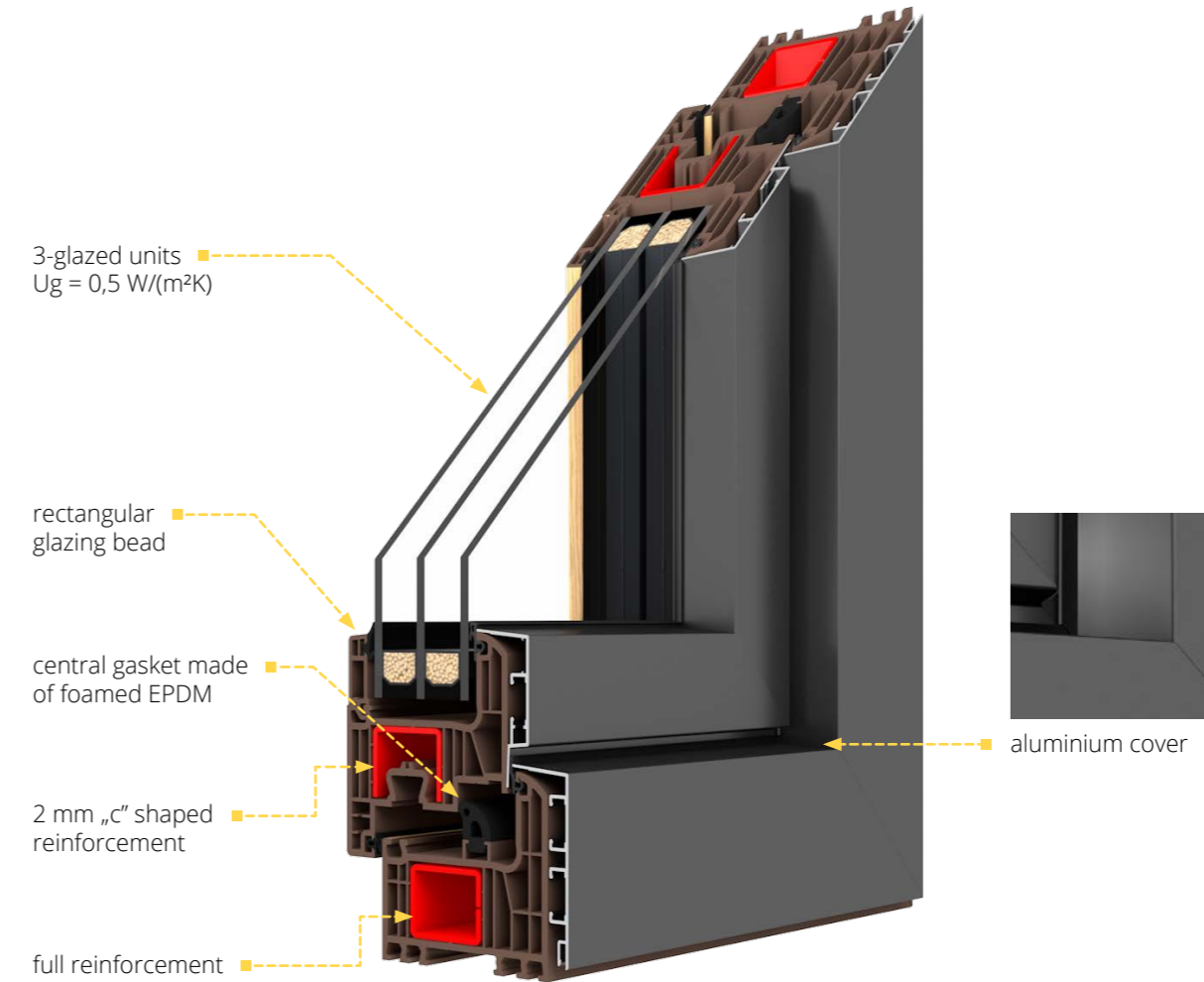
*More data at page 86.



SYSTEM STRUCTURE

7-chamber frame and sash profiles, with an installation depth of 93 mm. The system is equipped with a specially designed triple gasket: external and internal with EPDM and central with foamed EPDM.

IGLO ENERGY ALUCOVER



Standard:

- MACO MULTI-MATIC KS fittings with 4 anti-burglary strikers and Silber-Look anti-corrosion coating for long-lasting protection and smooth operation
- Sash lifter (handle mispositioning block – depending on window height)
- Micro-ventilation in tilt-and-turn windows
- Hinge covers in 4 colors: white, silver, light brown, brown
- Dublin aluminum handle
- Triple glazing (double-chamber unit) filled with argon, Ug = 0.5 W/(m²K)
- Swisspacer Ultimate warm-edge spacer
- Rectangular glazing bead
- V-Perfect welding
- Matte RAL powder coating
- 2 EPDM gaskets (external and internal) + 1 central foam EPDM gasket, all in black
- Gasket filling the bottom hardware groove
- 2 mm fully enclosed steel reinforcement in the frame, U-shaped steel reinforcement in the sash
- 5-chamber PVC window sill support strip with gasket



ADDITIONAL OPTIONS IGLO ENERGY ALUCOVER



option of using glazed units with a thickness from 24 mm to 52 mm



option of using glass panes with improved sound insulation, laminated (safety and anti-burglary), ornamental, solar control, mirror and sandblasted



option of using MACO Multi-Power concealed hinges in the fittings groove (invisible when the window is closed) as well as COMFORT and TBT fittings



wide range of colours of decorative films



option of using a rectangular glazing bead - only for 48 mm glazing (p. 82)



handles for windows with movable post



8 mm, 18 mm, 26 mm or 45 mm wide aluminium internal muntin bars (p. 66)



wide range of additional profiles (connectors, extensions, sill profiles)



hinge covers in custom colours: titanium, champagne, cream, black and gold



option of selecting a profile core in anthracite (Iglo Energy Classic only) or brown



available with roller shutters, Venetian blinds and mosquito nets (p. 92)



turn lock



option of providing Smart Home automation (p. 84)

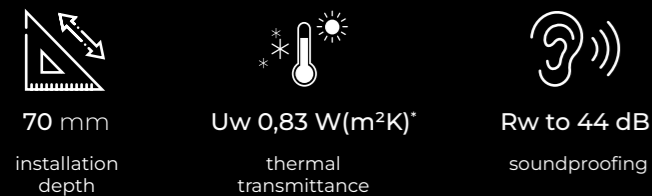


D

The common feature of both systems are 5 chambers, which provide very good thermal insulation performance. A wide package of additional options distinguishes our windows on the joinery market. Iglo 5 and Iglo 5 Classic are perfect for both warm and cold climates.



TECHNICAL DATA



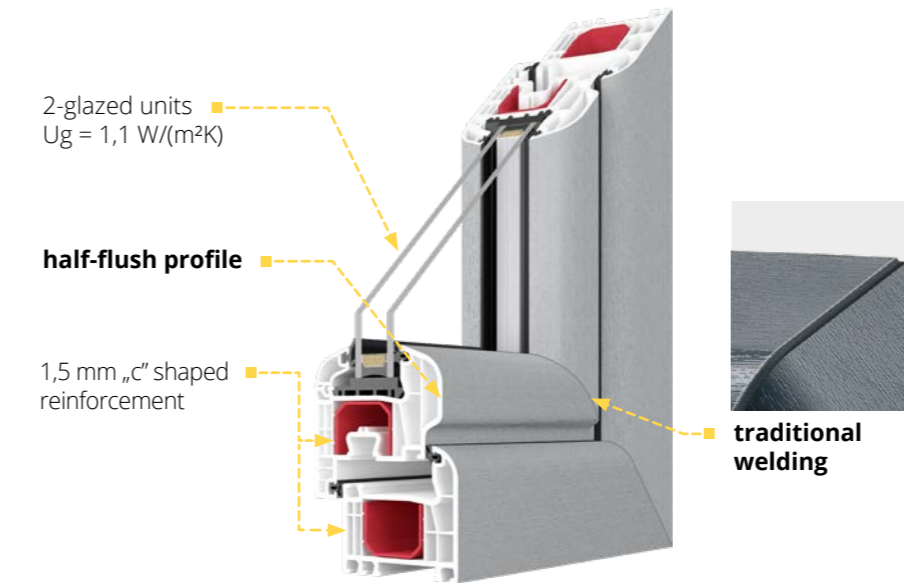
*More data at page 87.



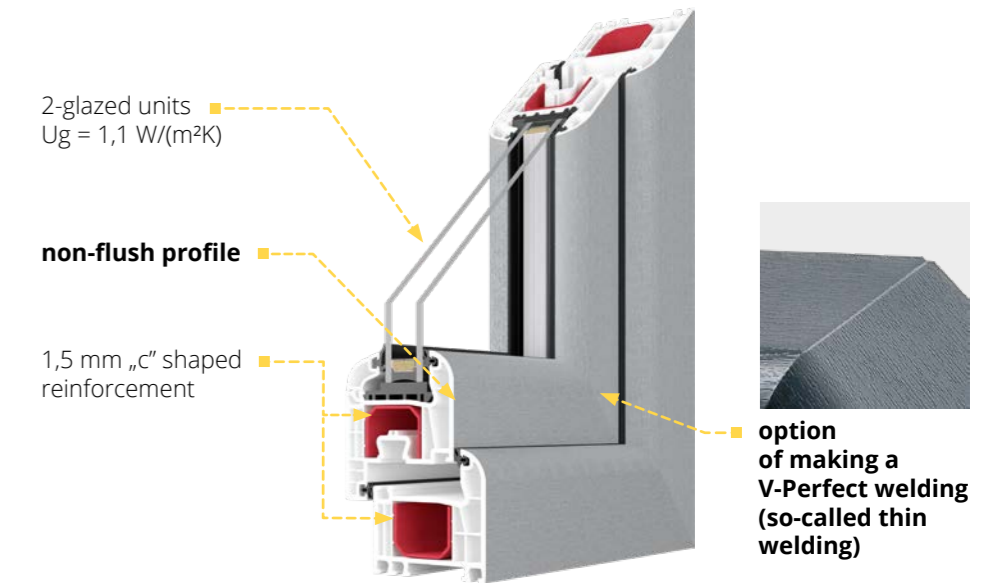
SYSTEM STRUCTURE

The profile has a 5-chamber construction with an installation depth of 70 mm. It features steel reinforcement of the sash and frame. The window is fitted with a double EPDM gasket: external and internal.

IGLO 5



IGLO 5 CLASSIC



Standard:

- MACO MULTI-MATIC KS fittings with 2 anti-theft strikers with Silber-Look anticorrosion coating for long-lasting protection and smooth operation of the fitting
- sash lifter (lifting mishandling device - depending on window height)
- microventilation in tilt and turn windows
- hinge covers in 4 colours: white, silver, light brown, brown
- aluminium handle
- 2-glazed (1-chamber) units infilled with argon gas with $U_g = 1.1 \text{ W/(m}^2\text{K)}$
- galvanised steel glass-pane spacer optional Swisspacer Ultimate glass-pane spacer

- 2 EPDM gaskets in black (external and internal)
- gasket filling the lower fittings groove
- 1.5 mm steel reinforcement for frame and sash (2 mm for balcony door sash), „c“-shaped
- profile core in white
- 5-chamber PVC under-sill trim with gasket

ADDITIONAL OPTIONS IGLO 5 / IGLO 5 CLASSIC



option of using glazed units with a thickness from 24 mm to 40 mm



option of using glass panes with improved sound insulation, laminated (safety and anti-burglary), ornamental, solar control, mirror and sandblasted



option of using the Swisspacer Ultimate glass-pane spacer (p. 82)



option of using MACO Multi-Power concealed hinges in the fittings groove (not visible when the window is closed), COMFORT, TBT, flat handles for roller blinds (only for PP, Iglo 5 Classic with DM 25 bolt)



wide range of colours of decorative films



option of selecting gaskets in grey



option of using a rectangular glazing bead - only for 24 mm glazing (p. 83)



handles for floating mullion windows



option of using 27 mm, 45 mm or 65 mm wide PVC glued on muntin bars and 8 mm, 18 mm, 26 mm or 45 mm wide aluminium internal muntin bars (p. 66)



3-glazed (2-chamber) units, infilled with argon gas, with $U_g = 0.6 \text{ W/(m}^2\text{K)}$



hinge covers in custom colours: titanium, champagne, cream, black and gold



option of selecting a profile core in brown



available with roller shutters, Venetian blinds and mosquito nets (p. 92)



option of making windows in V-Perfect technology (so called thin welding)



RC2 Resistance class can be achieved, 4 strikers, MAX fittings



option of using ventilators (p. 76)



turn lock



option of providing Smart Home automation (p. 84)



option of using a 41 mm and 65 mm high renovation frame and a 35 mm adaptation frame



wide range of additional profiles (connectors, extensions, sill profiles)



MACO tilt mechanism



option of using full (closed) steel reinforcement in the frame



Even more light and enjoyment. Iglo Light's design is expressed in its rounded shape and the slim and narrow lines of its profile. Compared to traditional systems, it is characterised by a 32% narrower floating mullion with a symmetrically placed aluminium handle and an 8 mm narrower sash profile.



Smart Home



PERFECT

TECHNICAL DATA



70 mm

installation depth



Uw 0,88 W/(m²K)*

thermal transmittance



Rw to 44 dB

soundproofing

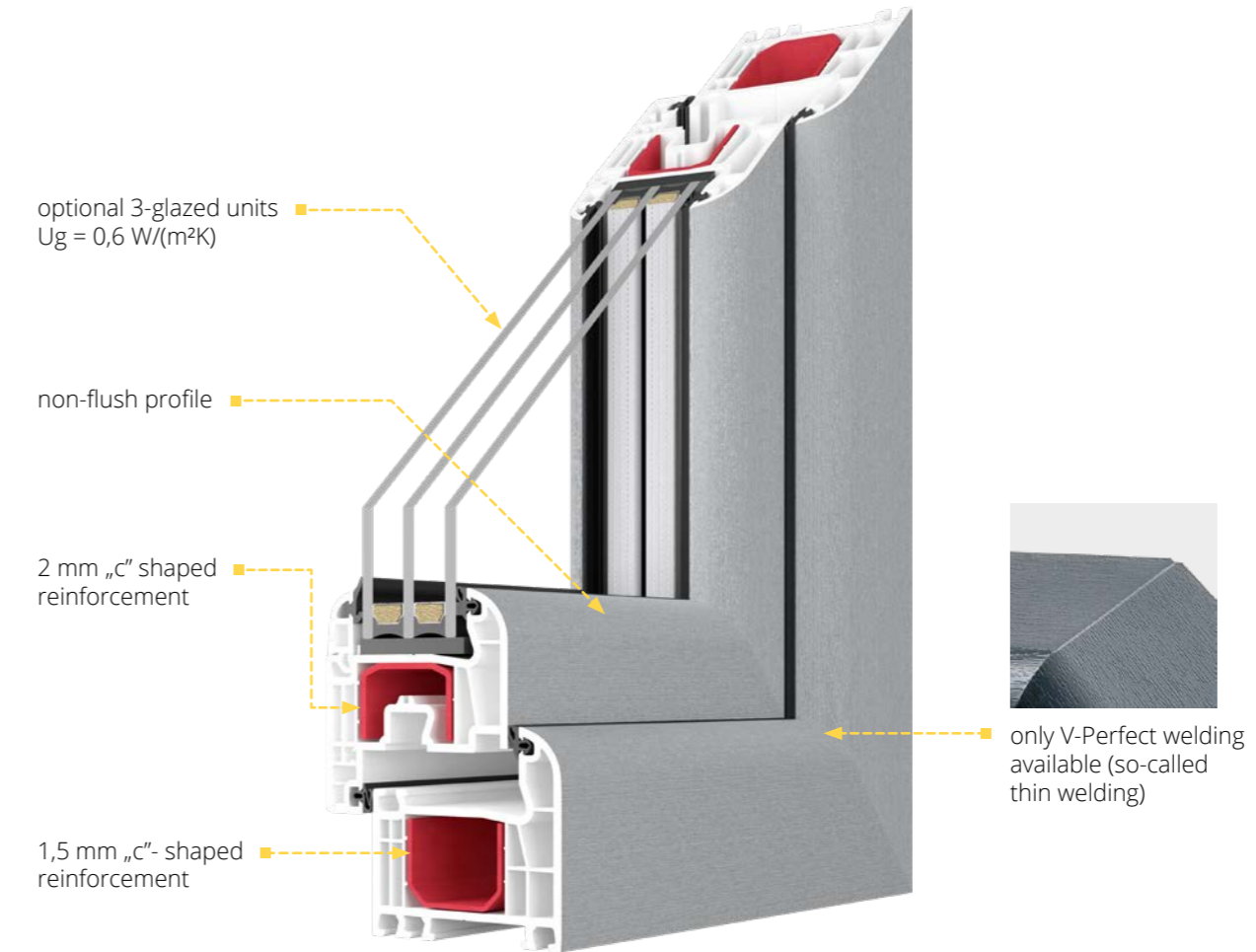
*More data at page 87.



SYSTEM STRUCTURE

The 5-chamber A-class profile is made exclusively of primary material. Its installation depth is 70 mm. The innovative, original arrangement of the steel reinforcement (35 mm x 24 mm x 2 mm) in the chamber ensures adequate strength and stability of the system.

IGLO LIGHT



Standard:

- MACO MULTI-MATIC KS fittings with 2 anti-theft strikers with Silber-Look anti-corrosion coating for long-lasting protection and smooth operation of the fitting
- sash lifter (lifting mishandling device - depending on window height)
- microventilation in tilt and turn windows
- hinge covers in 4 colours: white, silver, light brown, brown
- aluminium handle
- 2-glazed (1-chamber) units infilled with argon gas with Ug = 1.1 W/(m²K)
- galvanised steel glass-pane spacer optional Swisspacer Ultimate glass-pane spacer
- 2 EPDM gaskets in black (external and internal)
- gasket filling the lower fittings groove
- 1.5 mm steel reinforcement for frame and sash (2 mm for balcony door sash), „c”-shaped
- profile core in white
- 5-chamber PVC under-sill trim with gasket
- V-Perfect welding

ADDITIONAL OPTIONS IGLO LIGHT



option of using glazed units with a thickness from 24 mm to 40 mm



option of using glass panes with improved sound insulation, laminated (safety and anti-burglary), ornamental, solar control, mirror and sandblasted



option of using the Swisspacer Ultimate glass-pane spacer, available in 3 colour variants: black, grey, brown (p. 82)



option of using MACO Multi-Power concealed hinges in the fittings groove (invisible when the window is closed) as well as COMFORT and TBT fittings



wide range of colours of decorative films



option of selecting gaskets in grey



option of using a rectangular glazing bead



option of using 27 mm, 45 mm or 65 mm wide PVC glued on muntin bars and 8 mm, 18 mm, 26 mm or 45 mm wide aluminium internal muntin bars (p. 66)



hinge covers in custom colours: titanium, champagne, cream, black and gold



available with roller shutters, Venetian blinds and mosquito nets (p. 92)



using 3-glazed (2-chamber) units, infilled with argon gas, with $U_g = 0.6 \text{ W}/(\text{m}^2\text{K})$



option of using full (closed) steel reinforcement in the frame



option of using ventilators (p. 76)



turn lock



option of providing Smart Home automation (p. 84)



option to use a frame with a 41 mm or 47 mm fin, and a 35 mm adaptive frame



wide range of additional profiles (connectors, extensions, sill profiles)



A modern system of turn and outward-tilting windows that provides very good thermal insulation parameters and high comfort of use. The system is the result of the work of our in-house development department and research laboratory, which ensures the highest quality of the offered products.



TECHNICAL DATA



70 mm
installation
depth



$U_w 0,89 W(m^2K)^*$
thermal
transmittance

*More data at page 87.

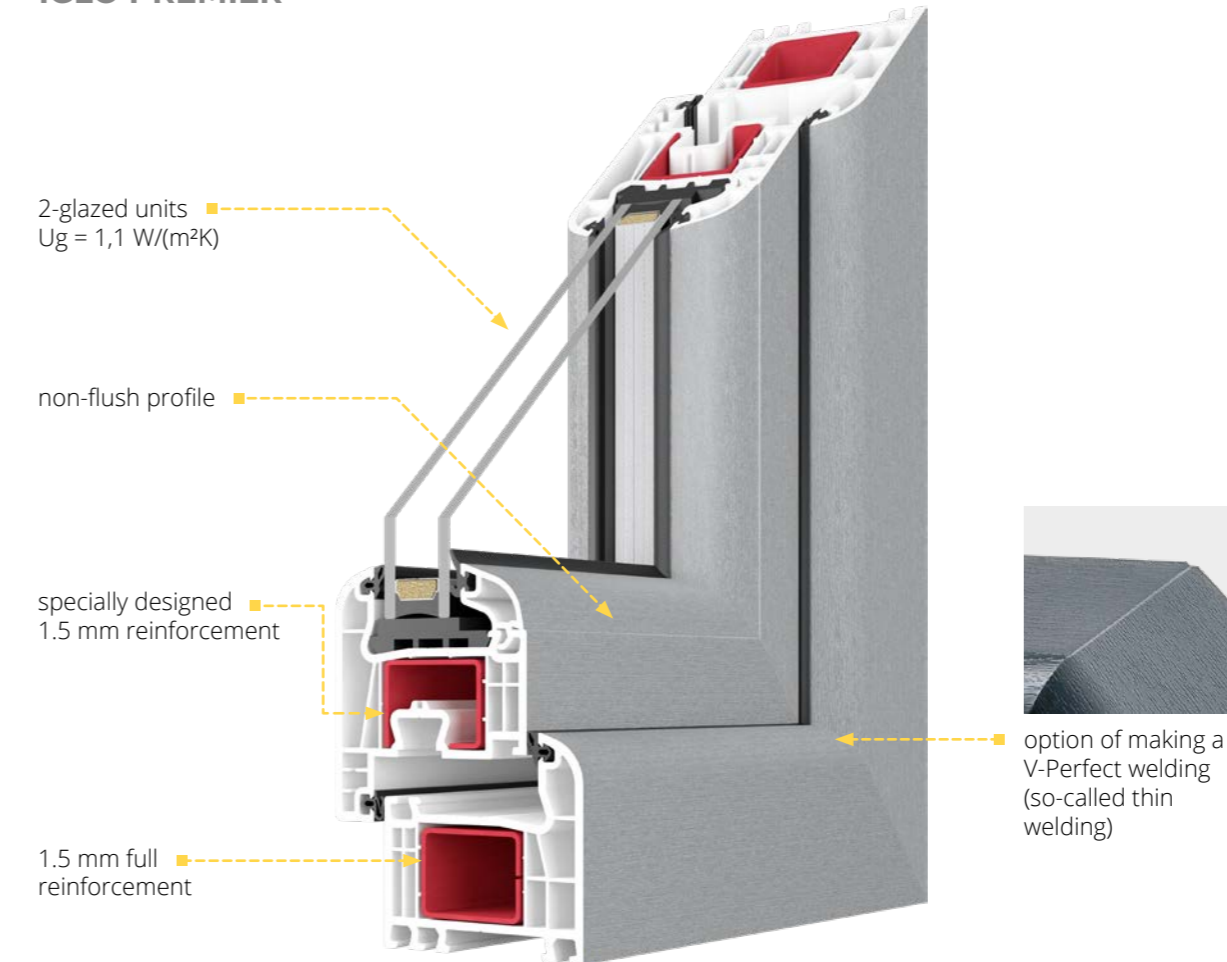


OUTWARD-OPENING WINDOWS

SYSTEM STRUCTURE

The profile has a 5-chamber construction with an installation depth of 70 mm. It features steel reinforcement of the sash and frame. The system is fitted with a double EPDM gasket: external and internal.

IGLO PREMIER



Standard:

- scissor hinges (invisible when the window is closed), double roller DM20 bolt for full (airtight) locking or locking with trickle ventilation
- anti-theft protection
- balcony door hinge covers in 4 colours: white, silver, light brown, brown
- aluminium handle
- 2-glazed (1-chamber) units infilled with argon gas with $U_g = 1.1 W/(m^2K)$
- galvanised steel glass-pane spacer optional Swisspacer Ultimate glass-pane spacer
- 2 EPDM gaskets in black (external and internal)
- gasket filling the lower fittings groove
- 1.5 mm full (closed) steel frame reinforcement and specially designed steel sash reinforcement profile
- profile core in white
- 5-chamber PVC under-sill trim with gasket



ADDITIONAL OPTIONS IGLO PREMIER



option of using glazed units with a thickness from 24 mm to 40 mm



option of using glass panes with improved sound insulation, laminated (safety and anti-burglary), ornamental, solar control, mirror and sandblasted



option of using the Swisspacer Ultimate glass-pane spacer (p. 82)



wide range of colours of decorative films



option of selecting gaskets in grey



option of using a rectangular glazing bead



option of using 27 mm, 45 mm or 65 mm wide PVC glued on muntin bars and 8 mm, 18 mm, 26 mm or 45 mm wide aluminium internal muntin bars (p. 66)



3-glazed (2-chamber) units, infilled with argon gas, with $U_g = 0.6 \text{ W/(m}^2\text{K)}$



option of making windows in V-Perfect technology (so called thin welding)



option of using rebate or RENSON ventilators (p. 76)



wide range of additional profiles (connectors, extensions, sill profiles)



Specially designed, original outward-opening windows and balcony doors. Attractive design and very good thermal insulation parameters mean a warmer home with lower heating costs.



TECHNICAL DATA



70 mm

installation depth



$U_w 0,89 W/(m^2K)^*$

thermal transmittance

*More data at page 87.



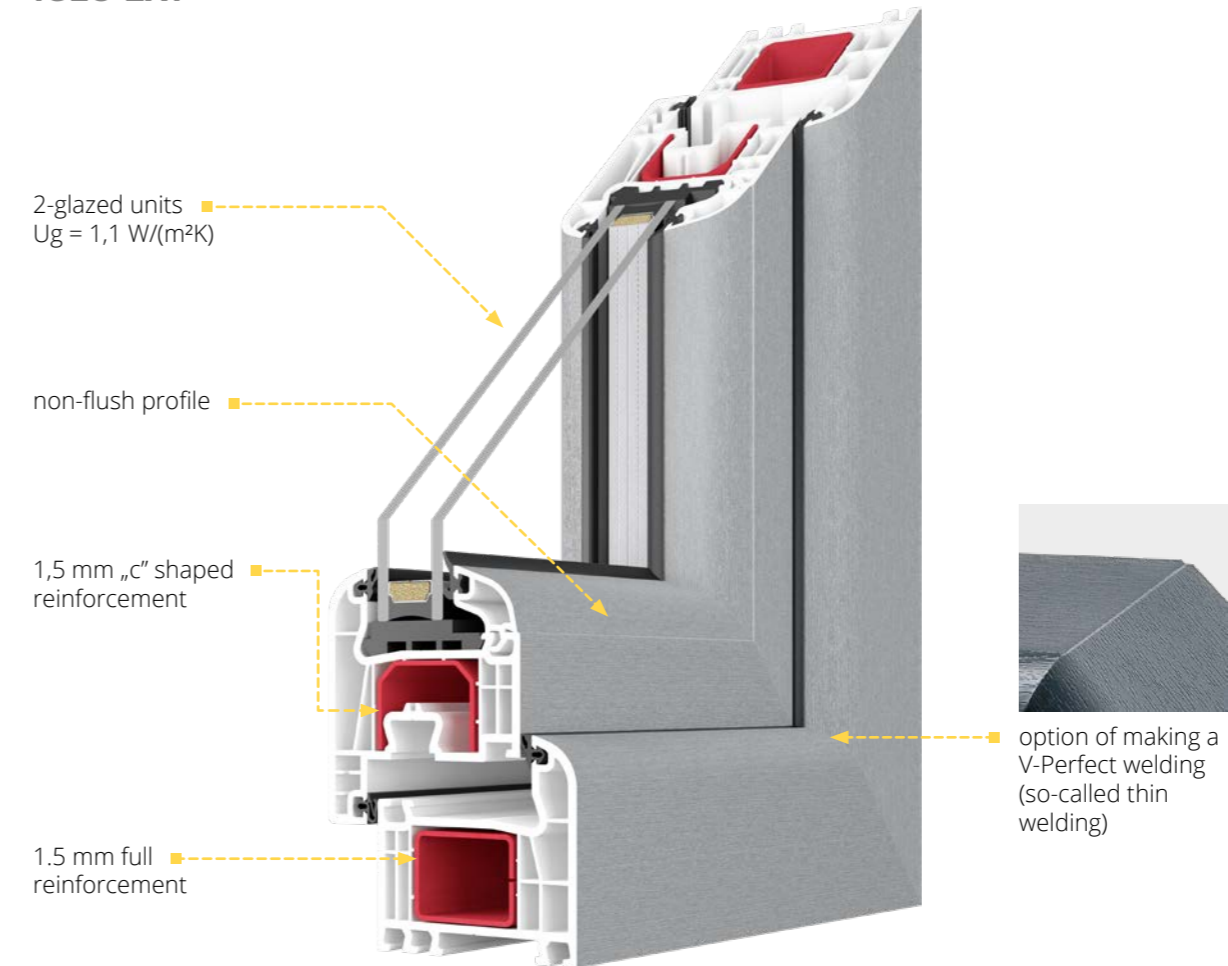
OUTWARD-OPENING WINDOWS AND BALCONY DOORS



SYSTEM STRUCTURE

The profile has a 5-chamber construction with an installation depth of 70 mm. It features steel reinforcement of the sash and frame. The system is fitted with a double EPDM gasket: external and internal.

IGLO EXT



Standard:

- concealed MACO Multi-Power fittings in the window (invisible hinges when the window is closed), door fittings on balcony windows
- for balcony doors, double roller DM20 bolt for full (airtight) locking or locking with trickle ventilation
- aluminium handle with double-sided insert
- 2-glazed (1-chamber) units infilled with argon gas with $U_g = 1.1 W/(m^2K)$
- galvanised steel glass-pane spacer optional Swisspacer Ultimate glass-pane spacer
- 2 EPDM gaskets in black (external and internal)
- gasket filling the lower fittings groove
- 1.5 mm full (closed), steel, „c”-shaped frame and sash reinforcement (2 mm for balcony door sashes)
- profile core in white
- 5-chamber PVC under-sill trim with gasket

ADDITIONAL OPTIONS IGLO EXT



option of using glazed units with a thickness from 24 mm to 40 mm



option of using glass panes with improved sound insulation, laminated (safety and anti-burglary), ornamental, solar control, mirror and sandblasted



option of using the Swisspacer Ultimate glass-pane spacer available in 3 colour variants: black, grey, brown (p. 82)



wide range of colours of decorative films



option of selecting gaskets in grey



option of using a rectangular glazing bead



option of using concealed hinges on balcony doors (invisible when the door is closed) - MACO Multi-Power fittings are designed for balcony door sashes weighing up to 150 kg



option of using 27 mm, 45 mm or 65 mm wide PVC glued on muntin bars and 8 mm, 18 mm, 26 mm or 45 mm wide aluminium internal muntin bars (p. 66)



3-glazed (2-chamber) units, infilled with argon gas, with $U_g = 0.6 \text{ W/(m}^2\text{K)}$



option of making windows in V-Perfect technology (so called thin welding)



option of using rebate or RENSON ventilators (p. 76)



possibility of using a renovation frame with a height of 41 mm and 65 mm and 35 mm adapter frame



wide range of additional profiles (connectors, extensions, sill profiles)



SYSTEM

ALUPLAST

IDEAL NEO MD **NOWOŚĆ**

Slim and symmetrical profiles refer to current design trends and give lightness and elegance to the windows.

Extremely narrow profile combinations mean even more light in the rooms. An attractive solution for both new built and renovation.



TECHNICAL DATA



76 mm

installation depth



Uw 0,76 W/(m²K)*

thermal transmittance



Rw 36 dB

soundproofing

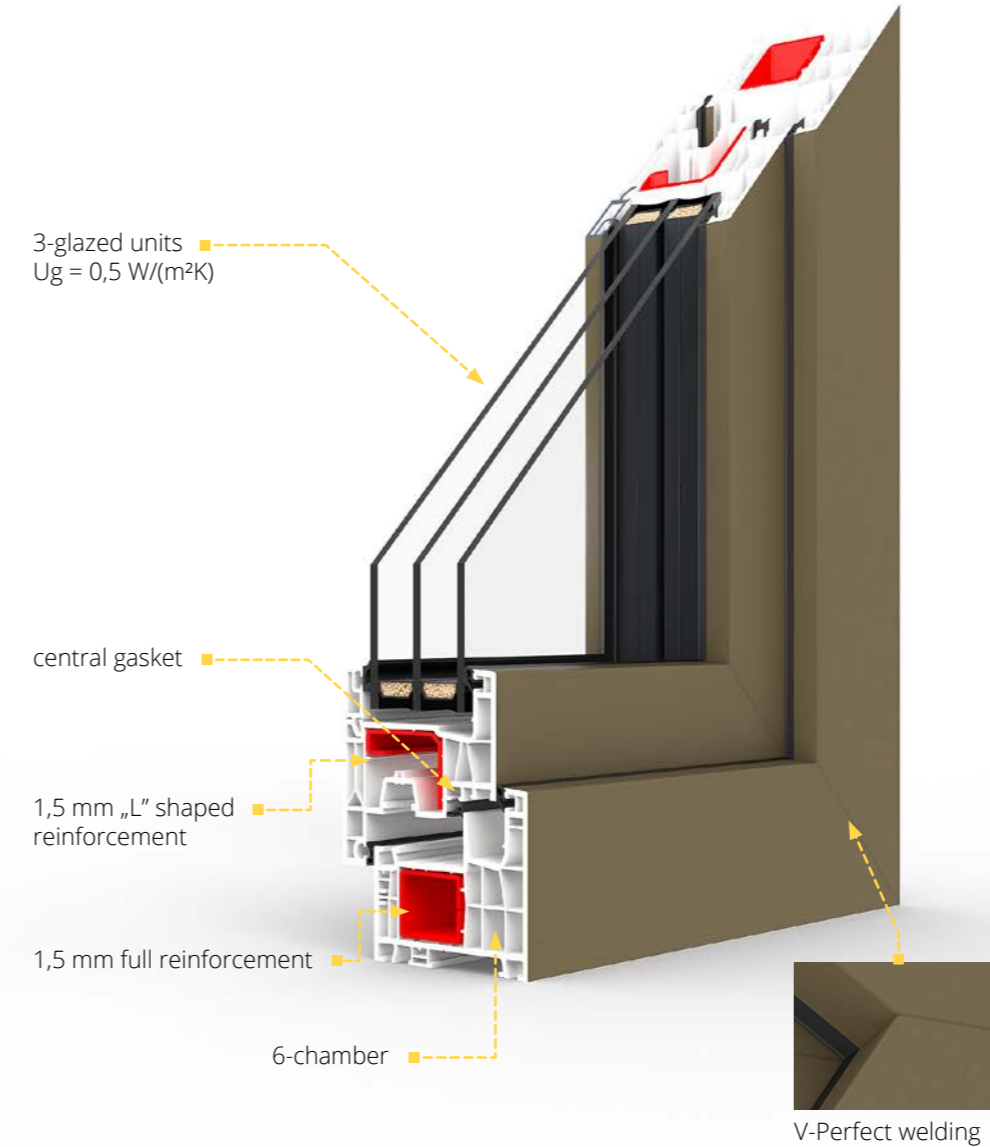
*More data at page 87.



SYSTEM STRUCTURE

6-chamber **b-class** sash profile with a frame depth of 76 mm.

IDEAL NEO MD



Standard:

- 3-glazed (2-chamber) units infilled with argon gas, with Ug = 0.5 W/(m²K)
- Swisspacer Ultimate plastic warm frame - as a free elective option
- 4 anti-theft strikers according to the size of the sash and the hardware system
- microventilation
- aluminium window handle
- handle misplacement locking mechanism
- perimeter, glazing and central gaskets in black or grey
- filling of the lower hardware groove



ADDITIONAL OPTIONS IDEAL NEO MD



option of using glazed units with a thickness from 24 mm to 54 mm



option of using glass panes with improved sound insulation, laminated (safety and anti-burglary), ornamental, solar control, mirror and sandblasted



wide range of colours of decorative films



possibility of using hidden hinges



handles for windows with movable post



turn lock



option of providing Smart Home automation (p. 84)



option of using 27 mm, 45 mm or 65 mm wide PVC glued on muntin bars and 8 mm, 18 mm, 26 mm or 45 mm wide aluminium internal muntin bars (str. 66)



szeroka gama profili dodatkowych (łączników, poszerzeń, profili pod parapet)



available with roller shutters, Venetian blinds and mosquito nets (p. 92)



option of using ventilators (p. 76)





PVC TERRACE SYSTEMS

PVC terrace systems combine unique technology with a modern design. They allow plenty of daylight to enter the room. Our terrace doors are remarkable for their excellent thermal insulation parameters, high aesthetics of workmanship and many additional options that allow full personalisation of the product.

EXTRAS
page 64

This system is designed for modern large-scale terrace glazing, giving interiors a unique character. Thanks to its extremely solid structure, safety is guaranteed, even with a sash weight of up to 400 kg. Excellent functionality is ensured by, among other things, the use of a low threshold that can be concealed in the floor.

TECHNICAL DATA



194 mm
installation
depth



Uw 0,71 W(m²K)*
thermal
transmittance

*More data at page 88.



SYSTEM STRUCTURE

7-chamber original a-class sash profile made exclusively of primary material, with a sash depth of 82 mm and frame depth of 194 mm. The comfort of use and the tightness of the construction are ensured by specially designed guide system and velour and EPDM gasket. The system is fitted as standard with a low PVC threshold with reinforcement and an aluminium overlay.

IGLO-HS

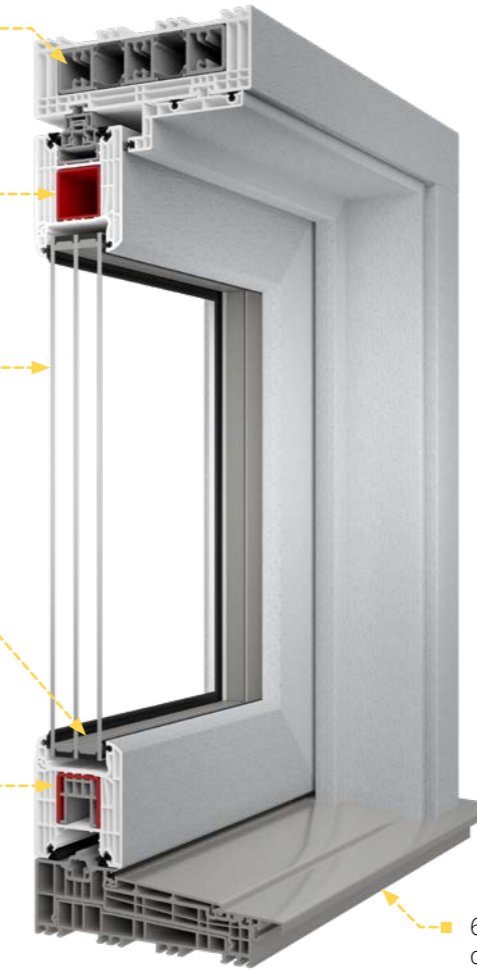
reinforcement with thermal breaks

2 mm full reinforcement

3-glazed units
Ug = 0,5 W/(m²K)

glass-pane spacer made of galvanised steel

3 mm „c” shaped reinforcement



60 mm high threshold with an option of flushing to the floor

Standard:

- G-U lift-and-slide hardware with 3 locking bolts
- micro-ventilation striker
- aluminum handle inside, recessed grip outside
- triple glazing (double-chamber unit) with argon, Ug = 0,5 W/(m²K)
- galvanized steel spacer or Swisspacer Ultimate warm-edge spacer
- velour internal seal, EPDM and brush external seals, all in black
- frame reinforcement: high-quality aluminum profiles with thermal breaks
- sash reinforcement:
 - top & vertical: fully enclosed 2 mm steel
 - bottom: 3 mm U-shaped steel
- white profile core
- flush sash profile
- system rollers with 300 kg load capacity
- low PVC threshold with reinforcement and aluminum cover

ADDITIONAL OPTIONS IGLO-HS



option of using glazed units from 36 mm to 52 mm thick



option of using glass panes with improved sound insulation, laminated (safety and anti-burglary), ornamental, solar control, mirror and sandblasted



option of using the Swisspacer Ultimate glass-pane spacer, available in 3 colour variants: black, grey, brown (p. 82)



wide range of colours of decorative films



option of selecting glass gaskets in grey



option of using a rectangular glazing bead - only for 36 mm glazing (p. 83)



option of providing DRIVE axent HSA smart automation



option of using 27 mm, 45 mm or 65 mm wide PVC glued on muntin bars and 8 mm, 18 mm, 26 mm or 45 mm wide aluminium internal muntin bars (p. 66)



option of making sashes in V-Perfect technology (so called thin welding)



option of using a ventilator with a drip cap RENSON THM 90 (str. 76)



available with roller shutters, Venetian blinds and mosquito nets (p. 92)



wide range of additional profiles (connectors, extensions)



system carts with a load capacity of 400 kg



double-sided handle with an insert



This terrace system was created by combining the excellent thermal insulation performance of PVC with the best features of aluminum. Embrace boundless creativity with an extensive palette of colors, empowering you to fashion a unique and personalized style for every interior or building facade.



TECHNICAL DATA



206 mm
installation
depth



Uw 0,73 W(m²K)*
thermal
transmittance

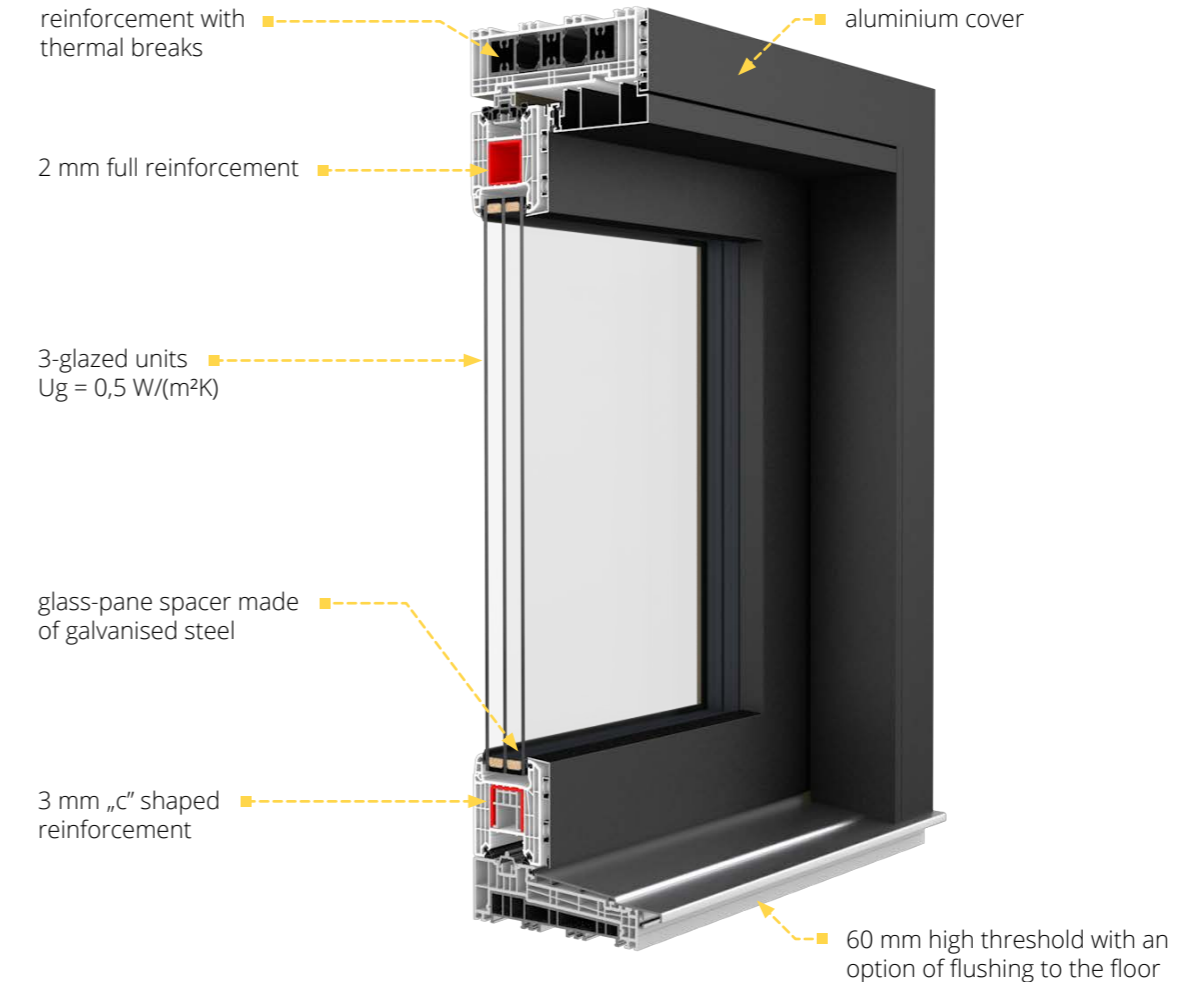
*More data at page 88.



SYSTEM STRUCTURE

7-chamber original a -class sash profile made exclusively of primary material, with a frame depth of 206 mm. The comfort of use and the tightness of the construction are ensured by specially designed guide system and velour and EPDM gasket. The system is fitted as standard with a low PVC threshold with reinforcement and an aluminium overlay.

IGLO-HS ALUCOVER



Standard:

- Swisspacer Ultimate edge
- rectangular glazing bead
- aluminum handle
- V-Perfect weld
- RAL matt varnishb
- G-U lift and slide fittings with 3 locking bolts
- micro-ventilation striker
- aluminium handle on the inside, recessed grip on the outside
- 3-glazed (2-chamber) units infilled with argon gas, with Ug = 0.5 W/(m²K)
- internal velour gasket, external EPDM and brush, gasket in black
- frame reinforcement made of high quality aluminium sections with thermal breaks, sash reinforcement:
 - top and vertical - full (closed) steel, 2 mm thick
 - bottom - steel, channel-shaped, 3 mm thick
- profile core in white
- non-flush sash profile
- system carts with a load capacity of 300 kg

ADDITIONAL OPTIONS IGLO-HS ALUCOVER



option of using glazed units from 36 mm to 52 mm thick



option of using glass panes with improved sound insulation, laminated (safety and anti-burglary), ornamental, solar control, mirror and sandblasted



option of using the Swisspacer Ultimate glass-pane spacer, available in 3 colour variants: black, grey, brown (p. 82)



wide range of colours of decorative films



option of selecting glass gaskets in grey



option of using a rectangular glazing bead - only for 36 mm glazing (p. 83)



option of providing Smart Home automation (p. 84)



option of using 27 mm, 45 mm or 65 mm wide PVC glued on muntin bars and 8 mm, 18 mm, 26 mm or 45 mm wide aluminium internal muntin bars (p. 66)



option of making sashes in V-Perfect technology (so called thin welding)



option of using a ventilator with a drip cap RENSON THM 90 (str. 76)



available with roller shutters, Venetian blinds and mosquito nets (p. 92)



wide range of additional profiles (connectors, extensions)



system carts with a load capacity of 400 kg



double-sided handle with an insert



Our original solution provides optimum light to both large and small rooms, while maintaining very good thermal insulation parameters that will significantly reduce your heating costs.



TECHNICAL DATA



82 mm
installation
depth



Uw 0,66 W/(m²K)*
thermal
transmittance

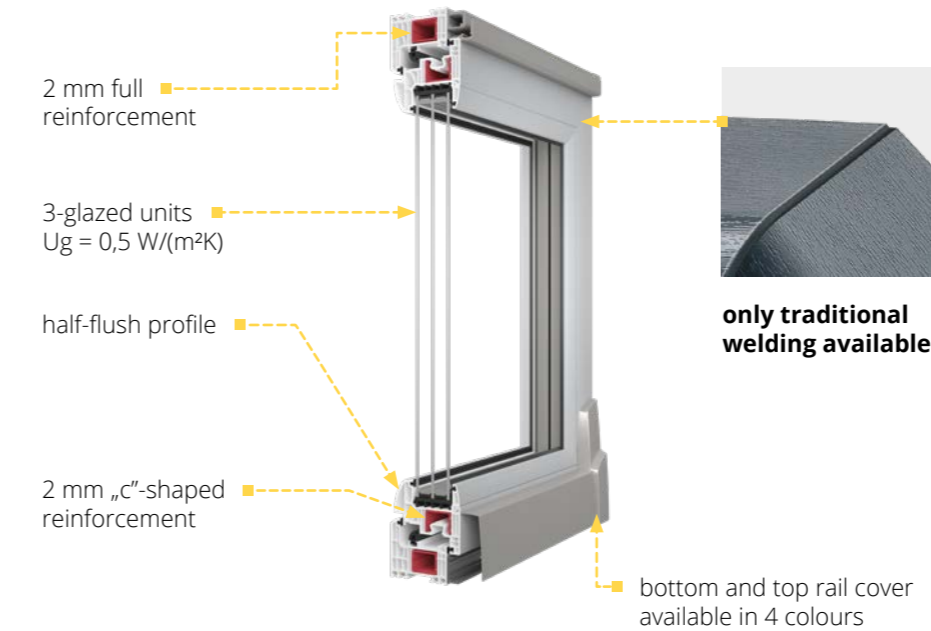
*More data at page 88.



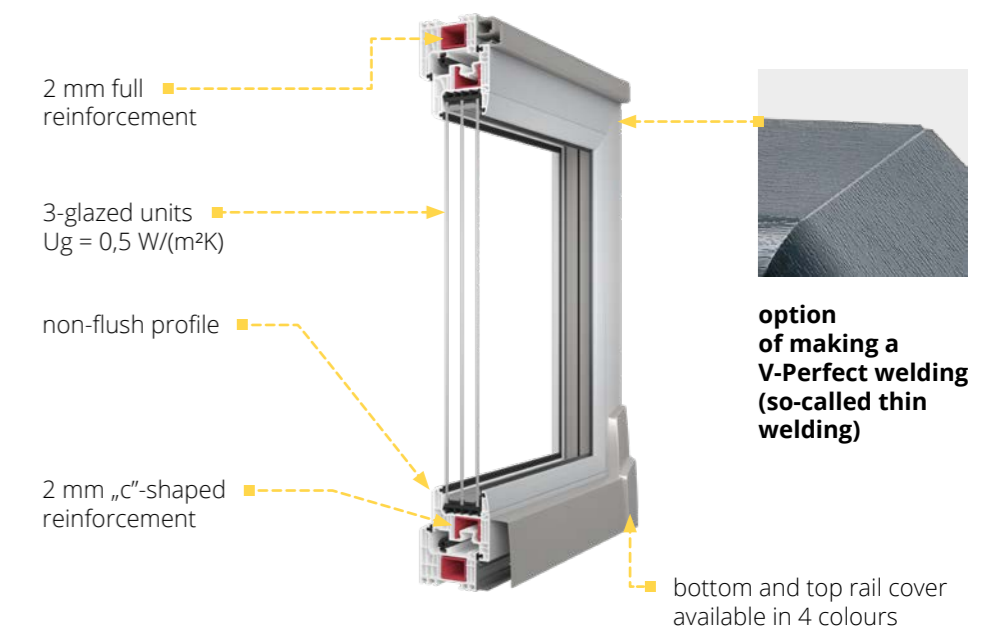
SYSTEM STRUCTURE

7-chamber frame and sash profiles made exclusively of primary material in Class A, with an installation depth of 82 mm. The system includes a triple gasket, with a central gasket made of foamed EPDM.

IGLO ENERGY PSK



IGLO ENERGY CLASSIC PSK



Standard:

- MACO SKB-S System Standard fittings for window sashes weighing up to 160 kg
- 3-glazed (2-chamber) units infilled with argon gas, with Ug = 0.5 W/(m²K)
- profile core in white
- galvanised steel glass-pane spacer optional Swisspacer Ultimate glass-pane spacer
- 2 EPDM gaskets in black (external and internal) + 1 central gasket made of foamed EPDM, gaskets available in black
- gasket filling the lower fittings groove
- 2 mm full (closed) steel frame reinforcement, „c“-shaped steel sash reinforcement

- aluminium handle
- rail cover available in 4 colours: silver, white, light brown and brown
- 5-chamber PVC under-sill trim with a gasket

ADDITIONAL OPTIONS IGLO ENERGY PSK / IGLO ENERGY CLASSIC PSK



option of using glazed units from 24 mm to 48 mm thick



option of using glass panes with improved sound insulation, laminated (safety and anti-burglary), ornamental, solar control, mirror and sandblasted



option of using the Swisspacer Ultimate glass-pane spacer available in 3 colour variants (p. 82)



wide range of colours of decorative films



option of selecting gaskets in grey



option of using a rectangular glazing bead - only for 48 mm glazing (p. 83)



option of using 27 mm, 45 mm or 65 mm wide PVC glued on muntin bars and 8 mm, 18 mm, 26 mm or 45 mm wide aluminium internal muntin bars (p. 66)



option of selecting a profile core in brown, for Iglo Energy Classic also in anthracite



option of using the MACO SKB-Z automatic fitting which supports closing of the tilt



available with roller shutters, Venetian blinds and mosquito nets (p. 92)



This is the perfect solution for those looking for window joinery that will provide the right level of light in the room. The tilt and slide system is characterised by ease of use and very good thermal and sound insulation parameters.



TECHNICAL DATA



70 mm
installation
depth



Uw 0,81 W(m²K)*
installation
depth

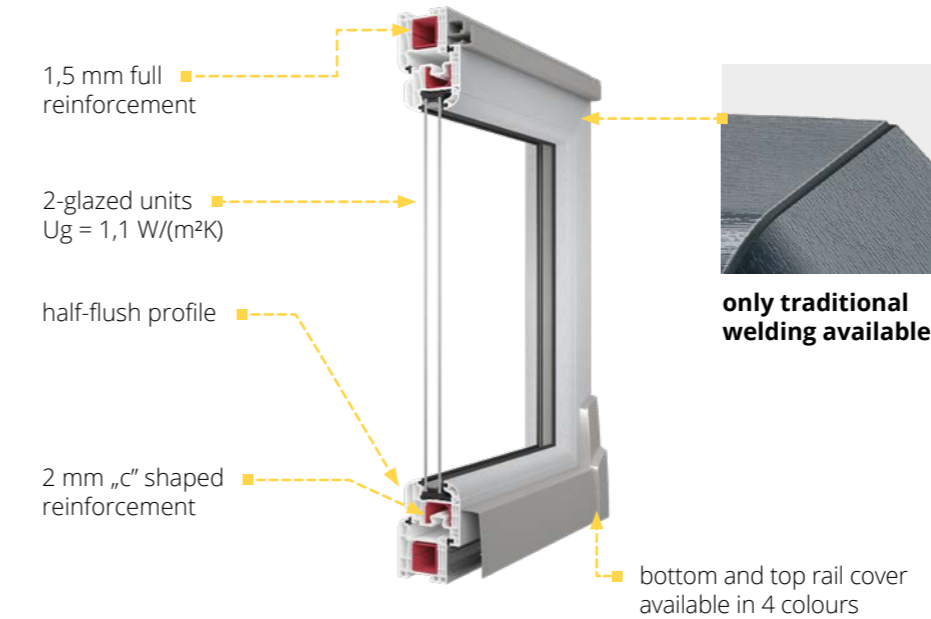
*More data at page 89.



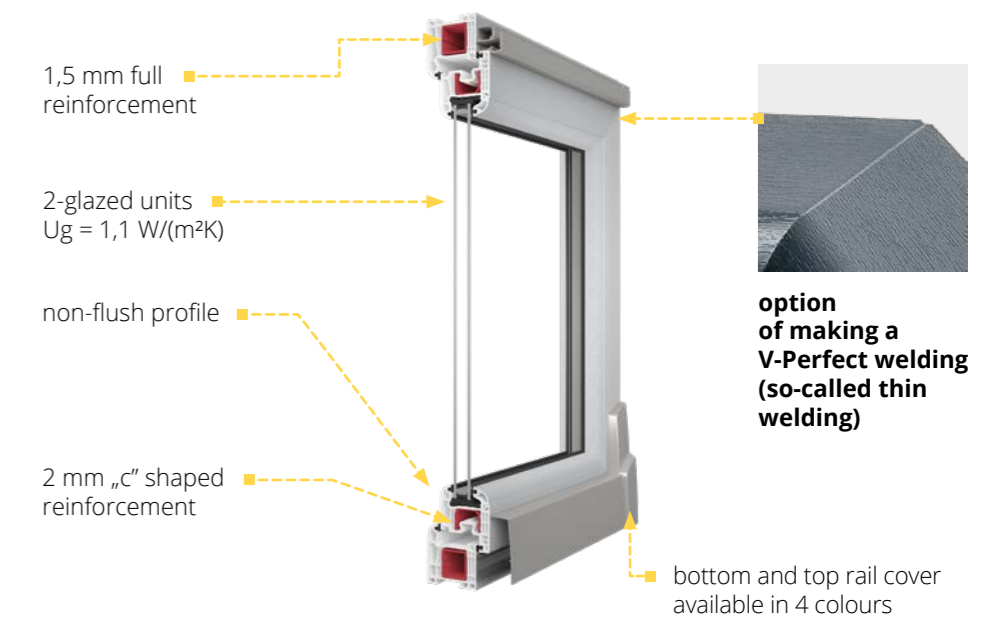
SYSTEM STRUCTURE

5-chamber frame and sash profiles made exclusively of primary material in Class A, with an installation width of 70 mm with a double gasket: external, internal with EPDM.

IGLO 5 PSK



IGLO 5 CLASSIC PSK



Standard:

- MACO SKB-S System Standard fittings for window sashes weighing up to 160 kg
- 2-glazed (1-chamber) units infilled with argon gas with Ug = 1.1 W/(m²K)
- Rail cover available in 4 colours: silver, white, light brown and brown
- profile core in white
- galvanised steel glass-pane spacer optional Swisspacer Ultimate glass-pane spacer
- frame profile height 75 mm
- 2 EPDM gaskets in black (external and internal)

- gasket filling the lower fittings groove
- 1.5 mm full (closed) steel frame reinforcement, 2 mm „c”-shaped steel sash reinforcement
- aluminium handle, available with key option
- 5-chamber PVC under-sill trim with gasket

ADDITIONAL OPTIONS IGLO 5 PSK / IGLO 5 CLASSIC PSK



option of using glazed units from 24 mm to 48 mm thick



option of using glass panes with increased sound insulation, laminated glass, (safety and anti-burglary), ornamental glass, solar control glass, mirrored glass and sandblasted glass



option of using the Swisspacer Ultimate glass-pane spacer available in 3 colour variants (p. 82)



wide range of colours of decorative films



option of selecting gaskets in grey



option of using a rectangular glazing bead



option of using the MACO SKB-Z automatic fitting which supports closing of the tilt.



option of using 27 mm, 45 mm or 65 mm wide PVC glued on muntin bars and 8 mm, 18 mm, 26 mm or 45 mm wide aluminium internal muntin bars (p. 66)



3-glazed (2-chamber) units infilled with argon gas, with $U_g = 0.6 \text{ W/(m}^2\text{K)}$



option of making windows in V-Perfect technology (so called thin welding)- only for Iglo 5 Classic PSK



Handle on both sides - only for the Iglo 5 Classic system



available with roller shutters, Venetian blinds and mosquito nets (p. 92)



option of selecting a profile core in brown



Specially developed original system to allow even more daylight into rooms. Compared to other PSK systems, it is distinguished by its visual lightness of the form.



TECHNICAL DATA



70 mm
installation
depth



$U_w 0,84 W(m^2K)^*$
thermal
transmittance

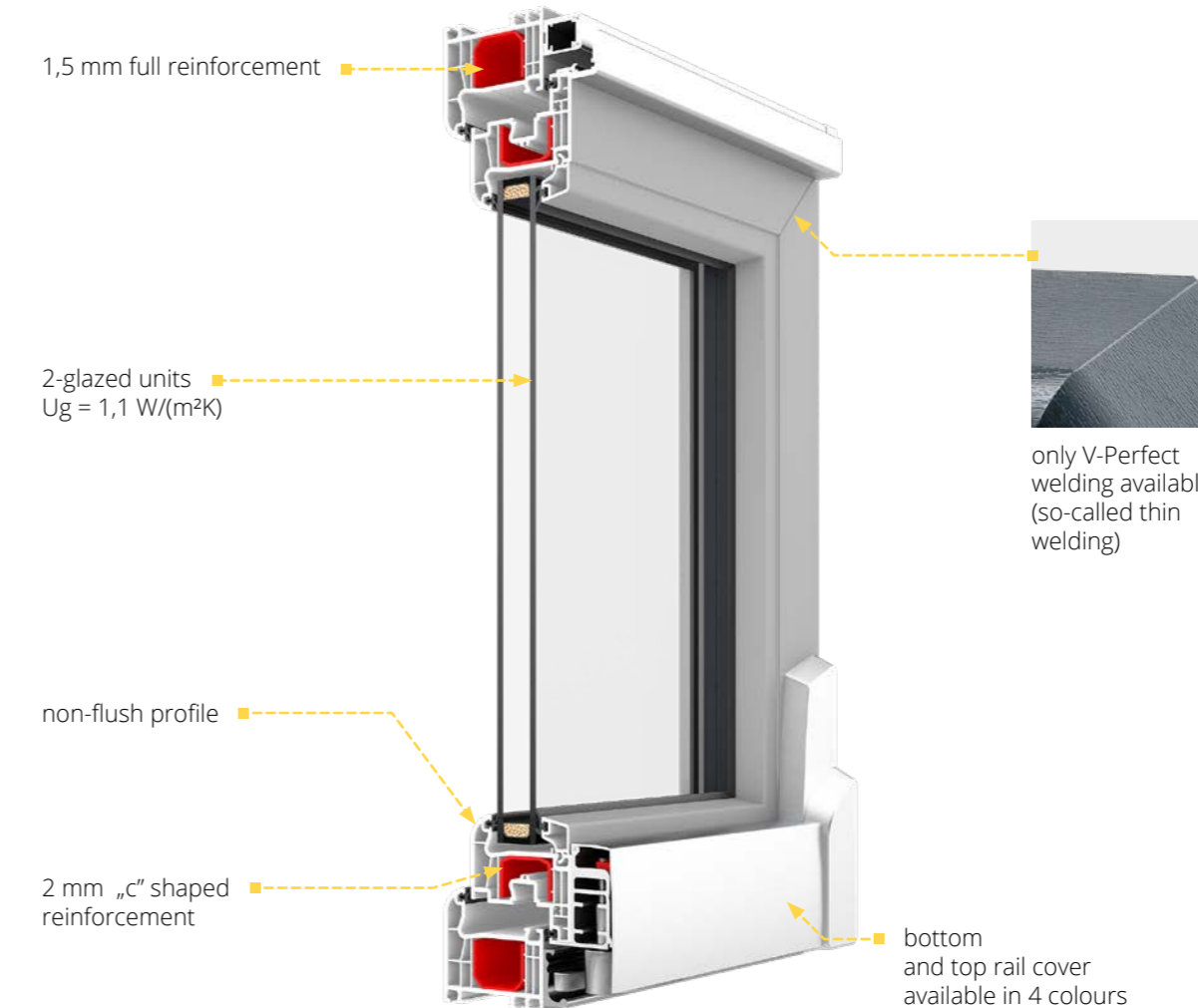
*More data at page 89.



SYSTEM STRUCTURE

5-chamber frame and sash profiles made exclusively of primary material in Class A, with an installation depth of 70 mm. IGLO LIGHT PSK is equipped with a double gasket: external, internal with EPDM

IGLO LIGHT PSK



Standard:

- MACO MULTI-MATIC KS fittings with 4 anti-theft strikers with Silber-Look anti-corrosion coating for long-lasting protection and smooth operation of the fitting
- 2-glazed (1-chamber) units infilled with argon gas with $U_g = 1.1 W/(m^2K)$
- profile core in white
- galvanised steel glass-pane spacer optional Swisspacer Ultimate glass-pane spacer
- 1.5 mm full (closed) steel frame reinforcement, 2 mm „c”-shaped steel sash reinforcement
- aluminium handle
- rail cover available in 4 colours: silver, white, light brown and brown
- V-Perfect welding - (so-called thin welding)
- 5-chamber PVC under-sill trim with gasket
- frame profile height: 75 mm

The system is designed for producing terrace doors and sliding windows. Thanks to the application of the latest technological solutions, it ensures high comfort of use and durability for many years. It is ideal for rooms where the use of traditional window and door solutions is not possible. IGLO SLIDE is dedicated for locations where high thermal insulation parameters are not required.



TECHNICAL DATA



82 mm
installation
depth

* More data at page 89.



SYSTEM STRUCTURE

3-chamber profile of frame and sash, with an installation depth of 82 mm, is fitted with a brush sealing.

IGLO SLIDE



Standard:

- Siegenia System Fittings with Height-adjustable Carts
- Aluminium Handle
- 24 mm Glazing Package, 2-glazed (1-chamber) Filled with Argon, with $U_g = 1,1 \text{ W/(m}^2\text{K)}$
- Galvanised Steel Spacer
- V-perfect eld
- Brush Sealing
- Black Gaskets
- 2 mm Steel Reinforcement for Frame and Sash
- 2-sided Aluminium Handle + Insert for Terrace Doors

ADDITIONAL OPTIONS IGLO SLIDE



option of using glazed units from 24 mm to 36 mm thick



sound the option of using glass panes with increased sound insulation, laminated glass, (safety and anti-burglary), ornamental glass, solar control glass, mirrored glass and sandblasted glass



option of using the Swisspacer Ultimate glass-pane spacer available in 3 colour variants (p. 82)



wide range of colours of decorative films



option of selecting gaskets in grey



option of using a rectangular glazing bead



option of using 27 mm, 45 mm or 65 mm wide PVC glued on muntin bars and 8 mm, 18 mm, 26 mm or 45 mm wide aluminium internal muntin bars (p. 66)



option of using ventilators in the sash (p. 76)



available with roller shutters, Venetian blinds and mosquito nets (p. 92)



PROFILE
CLASS A
SYSTEM
IGLO EDGE SLIDE **NEW**

Our new, most technologically advanced window is distinguished by an excellent thermal insulation parameter of $U_w = 0,66 \text{ W/(m}^2\text{K)}^*$ and a modern, angular profile shape. The extremely good thermal insulation parameters are due, among other things, to the 7-chamber profile design and 3 EPDM gaskets, including the central gasket.



TECHNICAL DATA



163 mm
installation depth



82 mm
sash installation depth



$U_w 0,65 \text{ W/(m}^2\text{K)}^*$
thermal transmittance

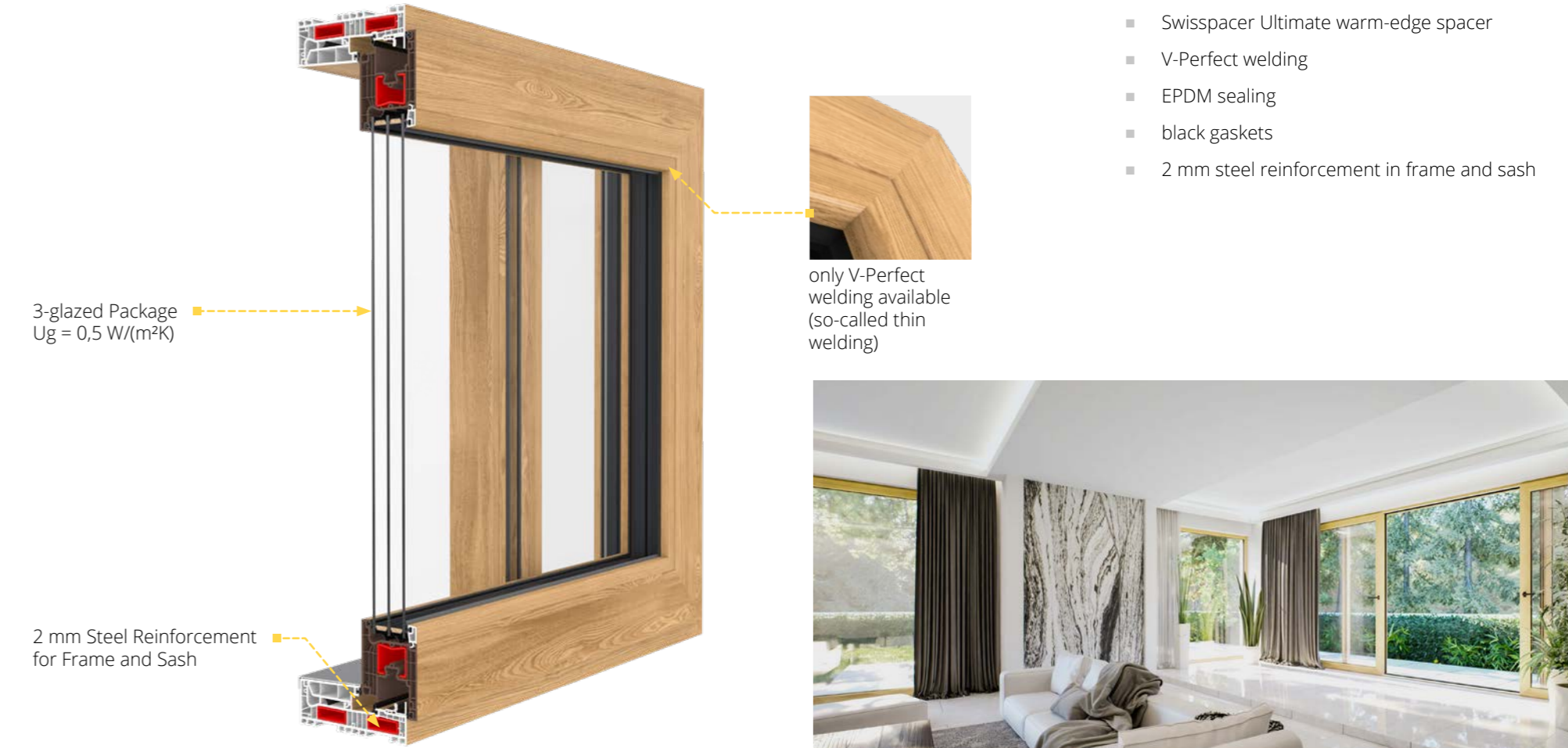
*More data at page 89.



SYSTEM STRUCTURE

9-chamber frame and 6-chamber sash profiles made exclusively of primary material in Class A, with an installation width of 163 mm.

IGLO EDGE SLIDE



ADDITIONAL OPTIONS IGLO EDGE SLIDE



option of using glazed units from 48 mm to 54 mm thick



sound the option of using glass panes with increased sound insulation, laminated glass, (safety and anti-burglary), ornamental glass, solar control glass, mirrored glass and sandblasted glass



wide range of colours of decorative films



option of using 27 mm, 45 mm or 65 mm wide PVC glued on muntin bars and 8 mm, 18 mm, 26 mm or 45 mm wide aluminium internal muntin bars (p. 66)



available with roller shutters, Venetian blinds and mosquito nets (p. 92)





EXTRAS

A wide range of accessories enables you to fully personalise your windows and terrace systems. With us, you will create a window joinery that meets your expectations.

MUNTIN BARS

Create an elegant and yet unique look for your windows. The wide configuration options combined with the available colours make it possible to create many interesting arrangements.

Muntin bars can be used on all our window and terrace systems.

GLUED-ON MUNTINS



PVC glued on muntin bars

Glued on muntin bar in widths of 27 mm, 45 mm or 65 mm. Available in our colour palette.

INSIDE GLASS MUNTINS



Internal aluminium muntin bars

Internal muntin bars in widths of 8 mm, 18 mm, 26 mm or 45 mm. Available colours: white, gold, silver, golden oak, dark oak, mahogany, nut, macore, winchester, RAL 8022 (ask your dealer for the other colours).



*For the option of making a particular design from muntin bars, ask your dealer or contact Drutex's Technology Department.



BALCONY THRESHOLDS

The balcony thresholds we offer are characterised by the highest ergonomics in use, durable construction and a high degree of thermal insulation. They are ideal for any climate zone.



WOODEN THRESHOLD

Available for:

- IGLO 5
- IGLO 5 CLASSIC
- IGLO LIGHT
- IGLO EXT



FRAME THRESHOLD - STANDARD FOR EVERY SYSTEM

- IGLO ENERGY
- IGLO ENERGY CLASSIC
- IGLO 5
- IGLO 5 CLASSIC
- IGLO EXT
- IGLO LIGHT

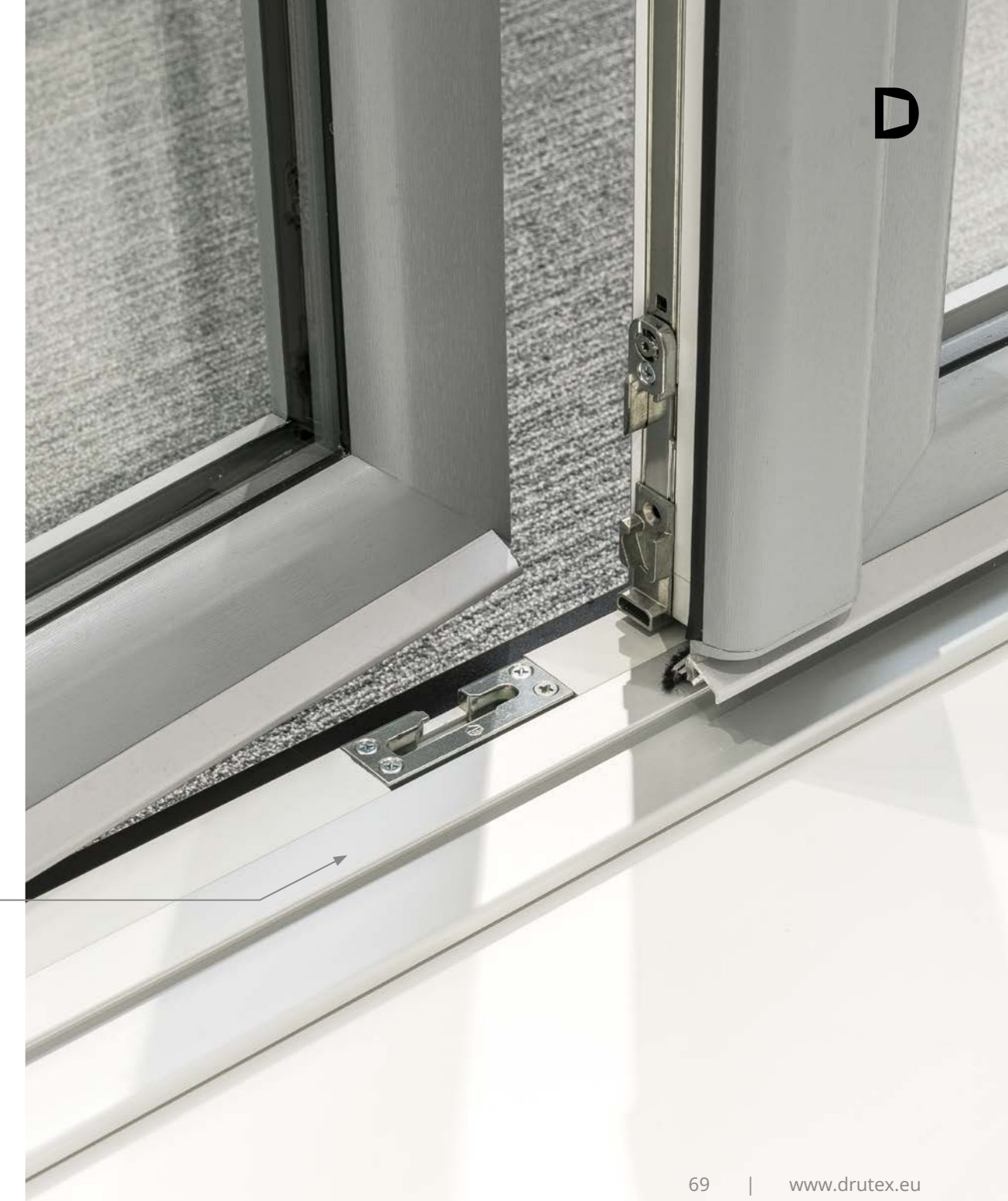
OPTIONAL THRESHOLDS FOR IGLO ENERGY AND IGLO ENERGY CLASSIC



COMBI 20 MM



COMBI PLAN 0,0 MM
with optional linear drainage system available (additional option)



20 MM ALUMINIUM THRESHOLD

Available for:

- IGLO 5
- IGLO 5 CLASSIC
- IGLO LIGHT
- IGLO EXT

NON-STANDARD DESIGNS

We also offer non-standard window designs in systems:

- IGLO ENERGY
- IGLO ENERGY CLASSIC
- IGLO 5
- IGLO 5 CLASSIC
- IGLO LIGHT

For confirmation of a non-standard design, contact your dealer or Drutex's Technology Department.



In non-standard designs, there is no option for V-Perfect welding (so-called thin welding), due to the lack of a 90° angle in all corners.



CREATE YOUR OWN UNIQUE STYLE



FITTINGS

The fittings used by DRUTEX are the perfect solution in terms of security and functionality of the window and door joinery.

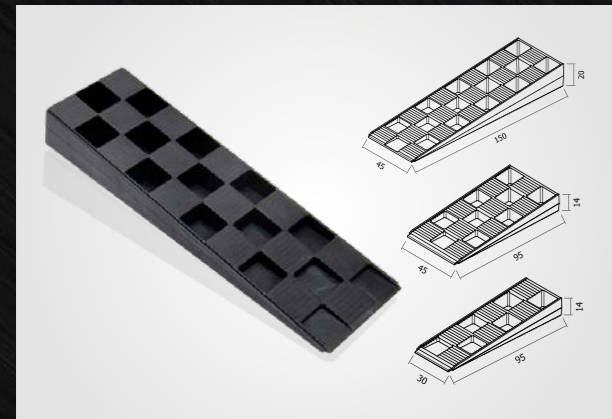
In addition, there is an option of:

- use of concealed hinges
- use of fittings that meet the requirements for anti-burglary in the RC2 and RC2 N class

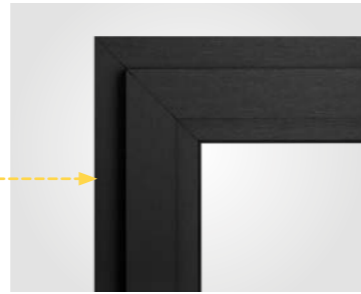


MOUNTING WEDGES

Option of ordering mounting wedges used to level window and door frames during the installation.



STANDARD HINGES



CONCEALED HINGES
invisible when window is closed



TRANSOM WINDOW LOCK

allows the transom window to be opened or closed mechanically in places that are difficult to access (e.g. due to the height of the transom window)



REED SWITCH

magnetic window and door opening sensor is a part of the Smart Home access control system or alarm system



FRICTION BRAKE

protects against spontaneous opening or closing of window and door sashes



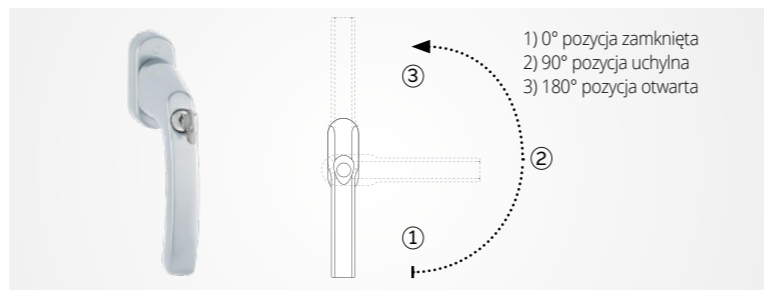
GRADUAL TILT MECHANISM

allows the window to be tilted in 5 positions



COMFORT FITTINGS

handle in the bottom part of the window sash



TBT (TILT BEFORE TURN) FITTINGS

tilt position before opening - key protection against full opening of the window



HINGE COVERS¹



ALUMINIUM BALCONY DOOR PULL-HANDLE²



BALCONY DOOR PULL-HANDLE DELUXE

1) Colours available:

Standard:

- white,
- brown,
- light brown,
- silver.

as an additional option:

- black,
- gold-look,
- titanium,
- champagne,
- cream.

2) Colours available:

- white, RAL 9016,
- silver, RAL 9006,
- brown RAL 8019,
- RAL 1036,
- RAL 7016.



- MACO Multi-Power concealed fittings invisible when the window is closed
- load capacity up to 150 kg

RENOVATION AND ADAPTATION FRAMES

The use of a renovation frame allows windows to be installed without removing the old window frames. This solution is successfully used in historic buildings or where exceptional care is required for the building façade. Available in the colours of our veneer colour palette.



i The option of making a renovation and adaptation frame in V-Perfect technology (so-called thin welding):

- Iglo Energy Classic
- Iglo 5 Classic
- Iglo Light
- Iglo EXT

IGLO 5 50004
height 41 mm

RENOVATION FRAME:

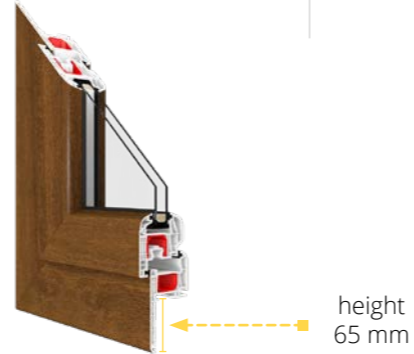
- IGLO 5
- IGLO 5 CLASSIC
- IGLO LIGHT
- IGLO EXT



IGLO 5 50005
height 65 mm

RENOVATION FRAME:

- IGLO 5
- IGLO 5 CLASSIC
- IGLO LIGHT
- IGLO EXT



IGLO ENERGY 70004
height 47 mm

RENOVATION FRAME:

- IGLO ENERGY
- IGLO ENERGY CLASSIC



IGLO 5 50009
height 35 mm

ADAPTATION FRAME:

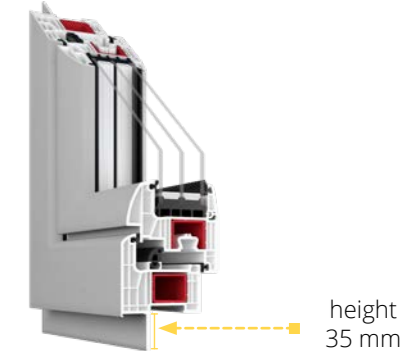
- IGLO 5
- IGLO 5 CLASSIC
- IGLO LIGHT
- IGLO EXT



IGLO ENERGY 70009
height 35 mm


ADAPTATION FRAME:

- IGLO ENERGY
- IGLO ENERGY CLASSIC



VENTILATION

Aiming at providing the highest living comfort, Drutex offers high-quality ventilators that ensure proper ventilation and fresh air when the windows are tightly closed.

 For the application of ventilation in PSK systems, consult the DRUTEX's Technology Department.

INTERNAL VIEW

 <p>6-30 m³/h*</p>	<p>Aereco AMO pressure ventilator</p> <hr/> <p>1) Available colours:</p> <ul style="list-style-type: none"> ■ white, ■ RAL: 9005, 8001, 8017, 7016.
 <p>6,2-22 m³/h*</p>	<p>Ventair Simpess pressure ventilator</p> <hr/> <p>1) Available colours:</p> <ul style="list-style-type: none"> ■ white, ■ RAL: 8003, 8017, 7016.
 <p>7-28 m³/h*</p>	<p>Aereco EXR acoustic hygro-regulated ventilator</p> <hr/> <p>1) Available colours:</p> <ul style="list-style-type: none"> ■ white, ■ RAL: 8001, 8017, 7016, 7045.
 <p>5-29 m³/h*</p>	<p>Aereco EMM hygro-regulated ventilator</p> <hr/> <p>1) Available colours:</p> <ul style="list-style-type: none"> ■ white, ■ RAL: 8001, 8017, 7016, 7045.

*Measured at 10 Pa - data obtained from the ventilator manufacturer.

BENEFITS OF USING VENTILATORS:

- modern, natural and healthy ventilation
- improved air exchange
- thermal comfort in the room (no feeling of draught as with tilted windows)
- possibility of adjusting the air flow in accordance with the weather conditions
- reducing the risk of damp rooms and the fungal and mould growth
- security
- Wide range of options: wooden windows, PVC windows, aluminium windows.



Radaks

Available colours: white (gaskets in black or grey).



Regel - air

Available colours: white (gaskets in black or grey).



Maco Vent

Available colours: white (gaskets in black or grey).



RENSON THM 90 ventilator with a drip cap

Available colours:

- RAL: 7016, 8019, 9005, 9006, 9016,
- Ask your dealer or our sales department about custom colours.

Radaks, Regel - air and Maco Ventyl ventilators are not available for the Iglo Premier and Iglo EXT windows.

*Measured at 10 Pa - data obtained from the ventilator manufacturer.



RENSON THM 90



GLASS PANES

We offer many types of glass panes that are characterised by the highest quality of workmanship. Choose panes for your windows that will meet your expectations and give your interior unique character.

We have been manufacturing multiple glazed panes since 1994. We have a state-of-the-art glass tempering plant and our own research laboratories, which ensure the highest quality.

The glazed units we manufacture can be fitted with special capillaries to equalise the pressure inside the glass with atmospheric pressure. Thanks to this solution, the glazing packages will perform perfectly in your premises.



Option to sandblast the glass in any way you wish (in 3 shades of grey)* or to use ready-made designs.

INFILLING MATERIAL

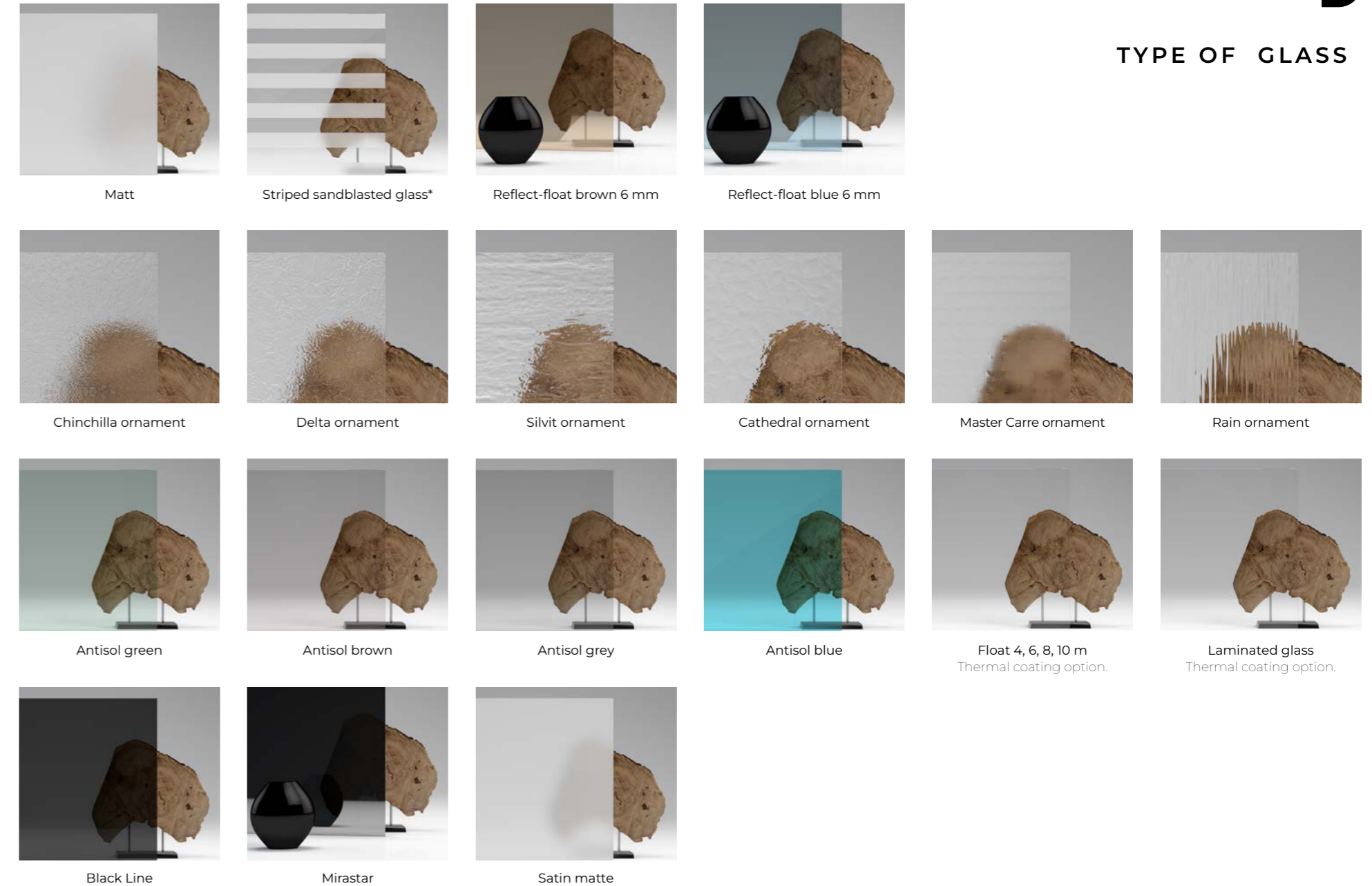
- **ARGON** - all glazed units are infilled with argon gas as standard, which guarantees very good thermal insulation. This has resulted in glazed units with Ug value of between 1.1 and 0.5 W/(m²K).



3-pane (2-chamber) 48 mm units with glass-pane spacer made of galvanised steel.



TYPE OF GLASS



* For sandblasting, contact Drutex's Technology Department or ask your dealer.

COLOURS

The rich colour range of window, balcony doors, HS and PSK terrace systems allows almost unlimited options for colour matching to customers' personal needs and preferences. The excellent quality of the foils used during production guarantees that the highest quality and durability of the colour will be maintained for many years.



The current veneer colors are available on our website.



HANDLES

The handles used in our products are made of aluminium and are distinguished not only by their elegant design the colour options, but also by their ergonomic shape. Handles can be supplied with options with a key or push-button to prevent unintentional opening (an option particularly recommended for children's rooms).

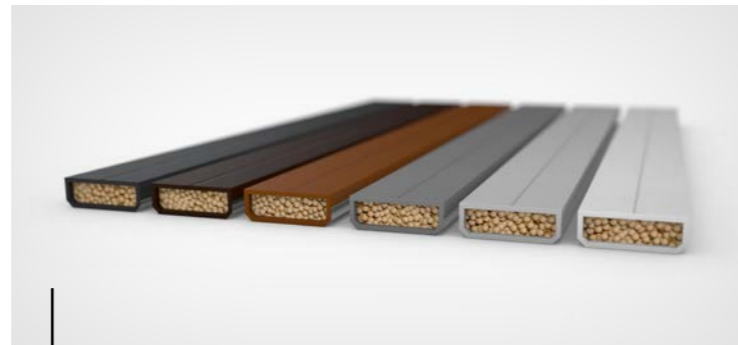


GLASS-PANE SPACERS

The glass-pane spacers contribute to the thermal insulation of the glazed units. Drutex already offers glass-pane spacer made of galvanised steels as a standard, which are characterised by very good thermal insulation, much better than aluminium spacers. The Swisspacer Ultimate plastic spacer is available as an option.

Glass-pane spacer made of galvanised steel

is provided as standard with every glazed unit.



Swisspacer Ultimate

Optional Swisspacer Ultimate glass-pane spacer available in black, brown, grey.

Available in the following colors:

- grey 9023,
- dark brown 8014,
- black 9005,
- white 9016,
- light grey 7035,
- light brown 8003.

RECTANGULAR GLAZING BEAD

The rectangular glazing bead is dedicated to the window, balcony and terrace systems. In combination with the latest decorative veneers imitating aluminium, windows fit in with the latest architectural trends.

Option available for glazing:

48 mm:

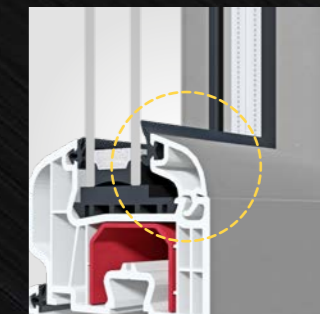
- Iglo Energy
- Iglo Energy PSK
- Iglo Energy Classic
- Iglo Energy Classic PSK

24 mm:

- Iglo 5 / Iglo 5 PSK
- Iglo 5 Classic / Iglo 5 Classic PSK
- Iglo Light / Iglo Light PSK
- Iglo Premier
- Iglo EXT

36 mm:

- Iglo-HS



STANDARD GLAZING BEAD



RECTANGULAR GLAZING BEAD

SMART HOME WITH EVERYTHING UNDER CONTROL

Intelligent control systems for window automation via remote control, tablet or smartphone are becoming increasingly popular with customers, allowing the system to also be managed remotely while they are away.

There is the option of opening and closing windows individually, in groups as well as time-based programming and connection to other intelligent systems in the house.

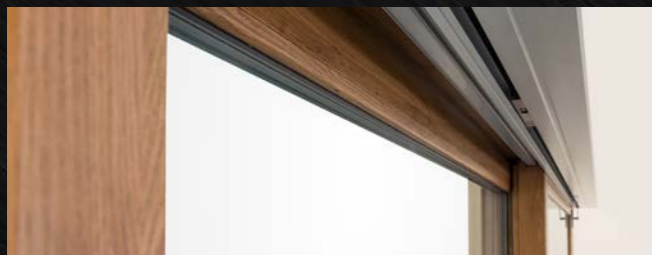
This is an investment in comfort and functionality at the highest level.

G-U AUTOMATICS, SIEGENIA

A modern system designed for HS system solutions.

Functions:

- opening and closing
- operation via remote control and/or smartphone app



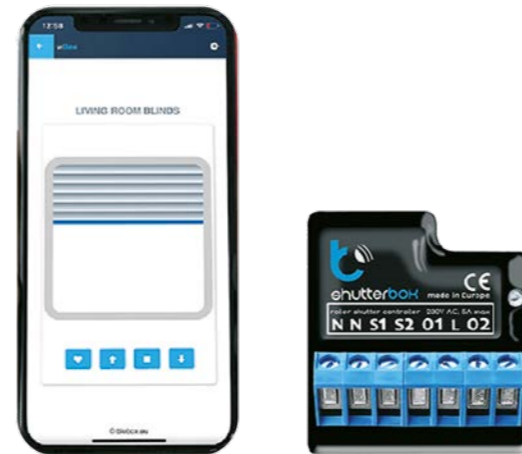
TaHoma® switch

Windows, doors, roller shutters, Venetian blinds, gates and wickets that, thanks to the intelligent control unit from Somfy - TaHoma® switch, can open or close by themselves at selected times of the day, can tilt or slide in integrated groups or individually, offering us full control and surveillance of our home, even when we are not inside. The TaHoma® switch also allows us to manage the lighting in the house and garden.



BleBox product line

These are miniature devices that allow you to open and close doors, windows, roller shutters, awnings, Venetian blinds, gates, manage lighting or the alarm system via your smartphone and tablet - even from anywhere in the world.



COMPARISON OF PVC WINDOW SYSTEMS



NEW

IGLO EDGE



IGLO ENERGY



IGLO ENERGY CLASSIC



IGLO ENERGY ALUCOVER



IGLO 5



IGLO 5 CLASSIC



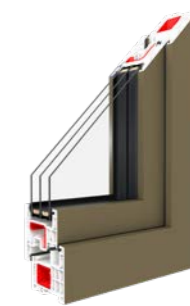
IGLO LIGHT



IGLO PREMIER



IGLO EXT



ALUPLAST
IDEAL NEO MD

D

INFORMATION	IGLO EDGE	IGLO ENERGY	IGLO ENERGY CLASSIC	IGLO ENERGY ALUCOVER	IGLO 5	IGLO 5 CLASSIC	IGLO LIGHT	IGLO PREMIER	IGLO EXT	ALUPLAST IDEAL NEO MD
THERMAL INSULATION Uw	Uw = 0,66 W/(m²K)*8	Uw = 0,71 W/(m²K)*1	Uw = 0,73 W/(m²K)*2	Uw = 0,76 W/(m²K)*7	Uw = 0,89 W/(m²K)*3	Uw = 0,83 W/(m²K)*4	Uw = 0,88 W/(m²K)*5	Uw = 0,89 W/(m²K)*6	Uw = 0,89 W/(m²K)*6	Uw = 0,76 W/(m²K)*7
NUMBER OF CHAMBERS IN THE PROFILE	7	7	7	7	5	5	5	5	5	6
SOUND INSULATION DB	dB = 36-42	dB = 36-46	dB = 36-46	-	dB = 36-44	dB = 36-44	dB = 36-44	-	-	dB = 36
PROFILE CORE COLOUR 1 - STANDARD 2 - OPTION	1 - white, brown, anthracite	1 - white 2 - brown	1 - white 2 - brown, anthracite	1 - white 2 - brown, anthracite	1 - white 2 - brown	1 - white 2 - brown	1 - white	1 - white	1 - white	1 - white 2 - brown, anthracite
RENOVATION FRAME HEIGHT	47 mm	47 mm	47 mm	-	41 mm lub 65 mm	41 mm lub 65 mm	41 mm lub 65 mm	41 mm lub 65 mm	41 mm lub 65 mm	-
GLAZED UNITS AS STANDARD	Ug = 0.5 W/(m²K) 3-pane (2 chamber) units, infilled with argon gas, galvanised steel glass-pane spacer optional Swisspacer Ultimate glass-pane spacer	Ug = 0.5 W/(m²K) 3-pane (2 chamber) units, infilled with argon gas, galvanised steel glass-pane spacer optional Swisspacer Ultimate glass-pane spacer	Ug = 0.5 W/(m²K) 3-pane (2 chamber) units, infilled with argon gas, galvanised steel glass-pane spacer optional Swisspacer Ultimate glass-pane spacer	Ug = 0.5 W/(m²K) 3-pane (2 chamber) units, infilled with argon gas, galvanised steel glass-pane spacer optional Swisspacer Ultimate glass-pane spacer	Ug = 1.1 W/(m²K) 2-pane (1 chamber) units, infilled with argon gas, galvanised steel glass-pane spacer optional Swisspacer Ultimate glass-pane spacer	Ug = 1.1 W/(m²K) 2-pane (1 chamber) units, infilled with argon gas, galvanised steel glass-pane spacer optional Swisspacer Ultimate glass-pane spacer	Ug = 1.1 W/(m²K) 2-pane (1 chamber) units, infilled with argon gas, galvanised steel glass-pane spacer optional Swisspacer Ultimate glass-pane spacer	Ug = 1.1 W/(m²K) 2-pane (1 chamber) units, infilled with argon gas, galvanised steel glass-pane spacer optional Swisspacer Ultimate glass-pane spacer	Ug = 1.1 W/(m²K) 2-pane (1 chamber) units, infilled with argon gas, galvanised steel glass-pane spacer optional Swisspacer Ultimate glass-pane spacer	Ug = 0.5 W/(m²K) 3-pane (2 chamber) units, infilled with argon gas, galvanised steel glass-pane spacer optional Swisspacer Ultimate glass-pane spacer
GLAZING THICKNESS MIN. - MAX.	48 - 58 mm	24 - 52 mm	24 - 52 mm	24 - 52 mm	24 - 40 mm	24 - 40 mm	24 - 40 mm	24 - 40 mm	24 - 40 mm	24-54 mm
PROFILE DEPTH/ HEIGHT 1 - FRAME 2 - SASH	1 - 82mm / 2 - 73mm 2 - 86mm / 2 - 76mm	1 - 82 mm / 74 mm 2 - 95,9 mm / 86 mm	1 - 82 mm / 74 mm 2 - 82 mm / 86 mm	1 - 82 mm / 74 mm 2 - 82 mm / 86 mm	1 - 70 mm / 66 mm 2 - 80 mm / 78 mm	1 - 70 mm / 66 mm 2 - 70 mm / 78 mm	1 - 70 mm / 66 mm 2 - 70 mm / 70 mm	1 - 70 mm / 66 mm 2 - 70 mm / 78 mm	1 - 70 mm / 66 mm 2 - 70 mm / 78 mm	1 - 76 mm / 68 mm 2 - 78 mm / 75 mm
STEEL REINFORCEMENT 1 - FRAME 2 - SASH		1 - 2 mm full (closed) 2 - 2 mm „c“-shaped	1 - 2 mm full (closed) 2 - 2 mm „c“-shaped	1 - 2 mm full (closed) 2 - 2 mm „c“-shaped	1 - 1.5 mm „c“-shaped 1 -2- 1.5 mm (2 mm on balcony doors) „c“-shaped	1 - 1.5 mm „c“-shaped 1 -2- 1.5 mm (2 mm on balcony doors) „c“-shaped	1 - 1.5 mm „c“-shaped 1 -2- 1.5 mm (2 mm on balcony doors) „c“-shaped	1 - 1.5 mm full (closed) 2- 1.5 mm specially designed profile	1 - 1.5 mm full (closed) 1 -2- 1.5 mm (2 mm on balcony doors) „c“-shaped	1 - 1.5 mm full (closed) 2 - 1.5 mm „L“-shaped
BALCONY THRESHOLD 1 - STANDARD 2 - OPTION	1 - jamb frame 2 - Combi 20 mm	1 - 1,5-2 mm jamb frame 2 - 1,5-2 mm Combi Plan 0.0 mm, Combi Plan 0.0 mm or Combi 20 mm	1 - jamb frame 2 - Combi Plan 0.0 mm, Combi Plan 0.0 mm or Combi 20 mm	1 - jamb frame 2 - Combi Plan 0.0 mm, Combi Plan 0.0 mm or Combi 20 mm	1 - jamb frame 2 - 20 mm aluminium threshold or wooden threshold	1 - jamb frame 2 - 20 mm aluminium threshold or wooden threshold	1 - jamb frame 2 - 20 mm aluminium threshold or wooden threshold	-	1 - jamb frame 2 - 20 mm aluminium threshold or wooden threshold	1 - jamb frame 2 - 20 mm

*1 - For a window measuring 1230x1480 mm, with steel reinforcement and the argon gas-filled glass package Ug = 0.5 W/(m²K), with the Swisspacer plastic spacer bar.

*2 - For a window measuring 1230x1480 mm, with steel reinforcement and the argon gas-filled glass package Ug = 0.5 W/(m²K), with the Swisspacer plastic spacer bar.

*3 - For a window measuring 1,230x1,480 mm, with steel reinforcement and the argon gas-filled glass package Ug = 0.6 W/(m²K), with the Swisspacer plastic spacer bar.

*4 - For a window measuring 1,230x1,480 mm, with steel reinforcement and the argon gas-filled glass package Ug = 0.6 W/(m²K), with the Swisspacer plastic spacer bar.

*5 - For a window measuring 1,230x1,480 mm, with steel reinforcement and the argon gas-filled glass package Ug = 0.6 W/(m²K), with the Swisspacer plastic spacer bar.

*6 - For a window size of 1230x1480 mm - calculation method = 0.89 W/(m²K) with steel reinforcement and glazed units Ug = 0.6 W/(m²K) infilled with argon gas, with a Swisspacer plastic spacer.

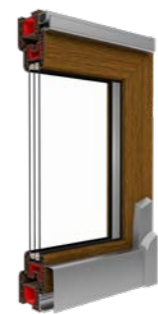
*7 - For a window measuring 1,230x1,480 mm - calculation method = 0.76 W/(m²K) with the argon gas-filled glass package Ug = 0.5 W/(m²K), with the Swisspacer plastic spacer bar.

*8 - For a window measuring 1,230x1,480 mm, Uw = 0.66 W/(m²K) with steel reinforcement and the argon gas-filled glass package Ug = 0.4 W/(m²K), with the Swisspacer Ultimate plastic spacer bar.

COMPARISON OF PVC TERRACE SYSTEMS



NEW



D

INFORMATION	IGLO-HS	IGLO-HS ALUCOVER	IGLO ENERGY PSK	IGLO ENERGY CLASSIC PSK	IGLO 5 PSK	IGLO 5 CLASSIC PSK	IGLO LIGHT PSK	IGLO SLIDE	IGLO EDGE SLIDE
THERMAL INSULATION Uw	Uw = 0,71 W/(m²K)*1	Uw = 0,73 W/(m²K)*1	Uw = 0,66 W/(m²K)*2	Uw = 0,66 W/(m²K)*2	Uw = 0,81 W/(m²K)*3	Uw = 0,81 W/(m²K)*3	Uw = 0,84 W/(m²K)*3	-	Uw = 0,65 W/(m²K)*4
NUMBER OF CHAMBERS IN THE PROFILE	7	7	7	7	5	5	5	5	5
PROFILE CORE COLOUR 1 - STANDARD 2 - OPTION	1 - white	1 - white	1 - white 2 - brown	1 - white 2 - brown, anthracite	1 - white 2 - brown	1 - white 2 - brown	1 - white	1 - white	1 - white
V-PERFECT WELDING OPTION	yes	yes	no	yes	no	yes	yes	yes	yes
GLAZED UNITS AS STANDARD	Ug = 0.5 W/(m²K) 3-pane (2 chamber) units, infilled with argon gas, galvanised steel glass-pane spacer optional Swisspacer Ultimate glass-pane spacer	Ug = 0.5 W/(m²K) 3-pane (2 chamber) units, infilled with argon gas, galvanised steel glass-pane spacer optional Swisspacer Ultimate glass-pane spacer	Ug = 0.5 W/(m²K) 3-pane (2 chamber) units, infilled with argon gas, galvanised steel glass-pane spacer optional Swisspacer Ultimate glass-pane spacer	Ug = 0.5 W/(m²K) 3-pane (2 chamber) units, infilled with argon gas, galvanised steel glass-pane spacer optional Swisspacer Ultimate glass-pane spacer	Ug = 1.1 W/(m²K) 2-pane (1 chamber) units, infilled with argon gas, galvanised steel glass-pane spacer optional Swisspacer Ultimate glass-pane spacer	Ug = 1.1 W/(m²K) 2-pane (1 chamber) units, infilled with argon gas, galvanised steel glass-pane spacer optional Swisspacer Ultimate glass-pane spacer	Ug = 1.1 W/(m²K) 2-pane (1 chamber) units, infilled with argon gas, galvanised steel glass-pane spacer optional Swisspacer Ultimate glass-pane spacer	Ug = 1.1 W/(m²K) 2-pane (1 chamber) units, infilled with argon gas, galvanised steel glass-pane spacer optional Swisspacer Ultimate glass-pane spacer	Ug = 0.5 W/(m²K) 3-pane (2 chamber) units, infilled with argon gas, galvanised steel glass-pane spacer made of Swisspacer Ultimat
GLAZING THICKNESS MIN. - MAX.	36 - 52 mm	36 - 52 mm	24 - 52 mm	24 - 52 mm	24 - 40 mm	24 - 40 mm	24 - 40 mm	24 - 36 mm	48 mm, 54 mm
PROFILE DEPTH/ HEIGHT 1 - FRAME 2 - SASH	1 - 194 mm / 74 mm 2 - 82 mm / 98 mm	1 - 206 mm / 74 mm 2 - 82 mm / 98 mm	1 - 82 mm / 74 mm 2 - 95,9 mm / 86 mm	1 - 82 mm / 74 mm 2 - 95,9 mm / 86 mm	1 - 75 mm / 75 mm 2 - 80 mm / 78 mm	1 - 70 mm / 75 mm 2 - 70 mm / 78 mm	1 - 70 mm / 75 mm 2 - 70 mm / 78 mm	-	1 - 163mm/61mm 2 - 82mm/108,5mm
STEEL REINFORCEMENT 1 - FRAME 2 - SASH	1 - 3 mm, „c“-shaped 2 - 2 mm full (closed)	1 - 3 mm, „c“-shaped 2 - 2 mm full (closed)	1 - 2 mm full (closed) 2 - 2 mm „c“-shaped	1 - 2 mm full (closed) 2 - 2 mm „c“-shaped	1 - 1.5 mm full (closed) 2 - 2 mm „c“-shaped	1 - 1.5 mm full (closed) 2 - 2 mm „c“-shaped	1 - 1.5 mm full (closed) 2 - 2 mm „c“-shaped	1 - 2 mm 2 - 2 mm	1 - 2 mm 2 - 2 mm
FITTINGS 1 - STANDARD 2 - OPTION	G-U with 3 locking bolts	G-U with 3 locking bolts	1 - MACO SKB-S Standard System 2 - MACO SKB-Z Automatic System	1 - MACO SKB-S Standard System 2 - MACO SKB-Z Automatic System	1 - MACO SKB-S Standard System 2 - MACO SKB-Z Automatic System	1 - MACO SKB-S Standard System 2 - MACO SKB-Z Automatic System	1 - MACO SKB-S Standard System 2 - MACO SKB-Z Automatic System	SIEGENIA	SIEGENIA
THRESHOLD	system threshold	system threshold	jamb frame	jamb frame	jamb frame	jamb frame	jamb frame	jamb frame	jamb frame

*1 - Calculation method: Terrace system of size 5000x2500 mm, with steel reinforcement and glazed units Ug = 0.5 W/(m²K) infilled with argon gas, with Swisspacer Ultimate plastic spacer.

*2 - Calculation method: Terrace system of size 2600x2250 mm, with steel reinforcement and glazed units Ug = 0.5 W/(m²K) infilled with argon gas, with Swisspacer Ultimate plastic spacer.

*3 - Calculation method: Terrace system of size 2600x2250 mm, with steel reinforcement and glazed units Ug = 0.7 W/(m²K) infilled with argon gas, with Swisspacer Ultimate plastic spacer.

*4 - Calculation method: Terrace system of size 4000x2500 mm, with steel reinforcement and glazed units Ug = 0.5 W/(m²K) infilled with argon gas, with Swisspacer Ultimate plastic spacer.



WINDOWS

Aluminium windows
Wooden windows
Wood-aluminum windows



TERRACE SYSTEMS



ROLLER SHUTTERS



DOORS

**PVC
Aluminium
Wood**

Drutex exterior doors mean very good thermal insulation parameters, various arrangement and functional possibilities as well as modern design and security. Highest quality components and equipment, used in the process of production, helped in creating product worthy of XXI century.



MOSQUITO NETS



FACADES WINTER GARDENS

Drutex is currently one of the leading producers of windows and doors in Europe. Not only, is it one of the most innovative and reliable polish brands, but also a calling card of polish entrepreneurship success' in the whole world.

The company, based in 100% on polish capital, from the beginning is managed by its founder, Leszek Gierszewski.

Thanks to the guaranteed high quality, rich offer, technological advancement, own laboratories, high efficiency of operation, really short lead and delivery time, year by year we grow our addressee net. Each product is custom-made and produced for a specific customer.

We offer PVC, aluminium, and wooden windows and doors, roller shutters, venetian blinds, facades, and winter gardens.

Window-door joinery, branded with the DRUTEX logo, reaches six continents.

We have been appreciated by millions of satisfied customers and independent experts, granting the company with many prestigious awards. The most important ones include: Forbes Diamond, EU Standard, European Medal, Superbrands Title, Plus X Award 2017.



up to 7000 windows daily



4000 employees



650+ vehicles



118 sq. m. surface production

Fast delivery time



SINCE 1985

