



Quality

The latest technology, the best materials and production controlled at every stage as well as our own research laboratories guarantee the highest quality.



Service

Professional and fast service is the hallmark of Drutex, which has been setting trends in pre- and post-sales customer service for years.



Security

Doors are equipped with reliable fittings and locks that ensure their safe use.



Smart Home

Intelligent control of doors, windows, roller shutters, façade blinds, mosquito nets, gates, wickets and lighting using a smartphone.



Official Partner of FC Bayern

ul. Leszka Gierszewskiego 1, 77-100 Bytow
+48 59 822 91 01

— SINCE 1985 —

The information presented in this advertising material is for informational and illustrative purposes only. Product specifications should be subject to verification with the technical data specified by the manufacturer.



ALUMINIUM

BORN OF PASSION AND EXPERIENCE

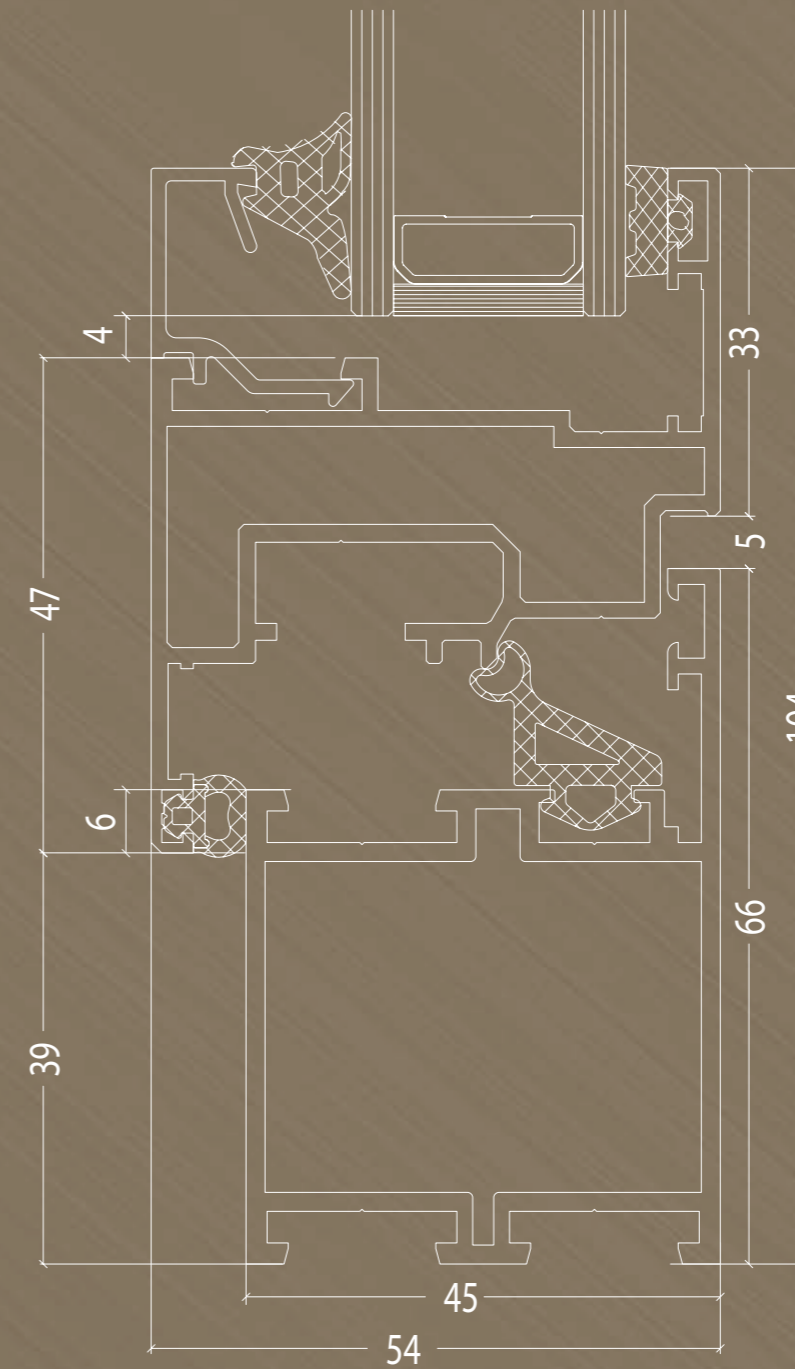
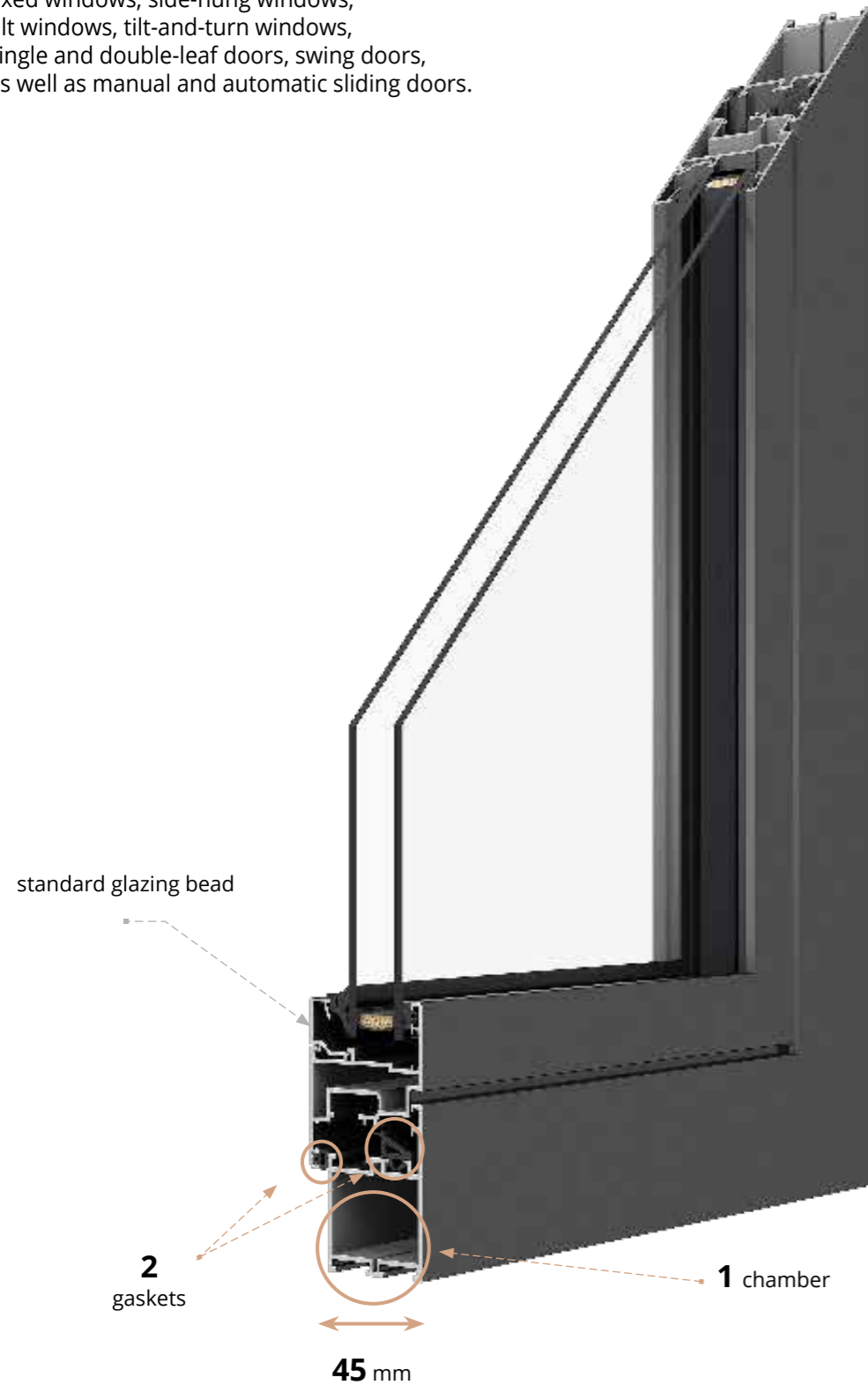
BUSINESS PARTNER

MB-45 | WINDOW AND DOOR SYSTEM

MB-45 is a window and door system without thermal insulation, designed for internal and external architectural elements that do not require thermal insulation.

TYPES OF CONSTRUCTIONS

Available solutions: partition walls, fixed windows, side-hung windows, tilt windows, tilt-and-turn windows, single and double-leaf doors, swing doors, as well as manual and automatic sliding doors.



MB-45
/ WINDOW /

■ lightweight, durable and functional construction

MB-45

1
chamber

2
gaskets

45
installation depth
/ mm /

24
glazing thickness
/ mm /

APPLICATION
EXTERNAL*
INTERNAL

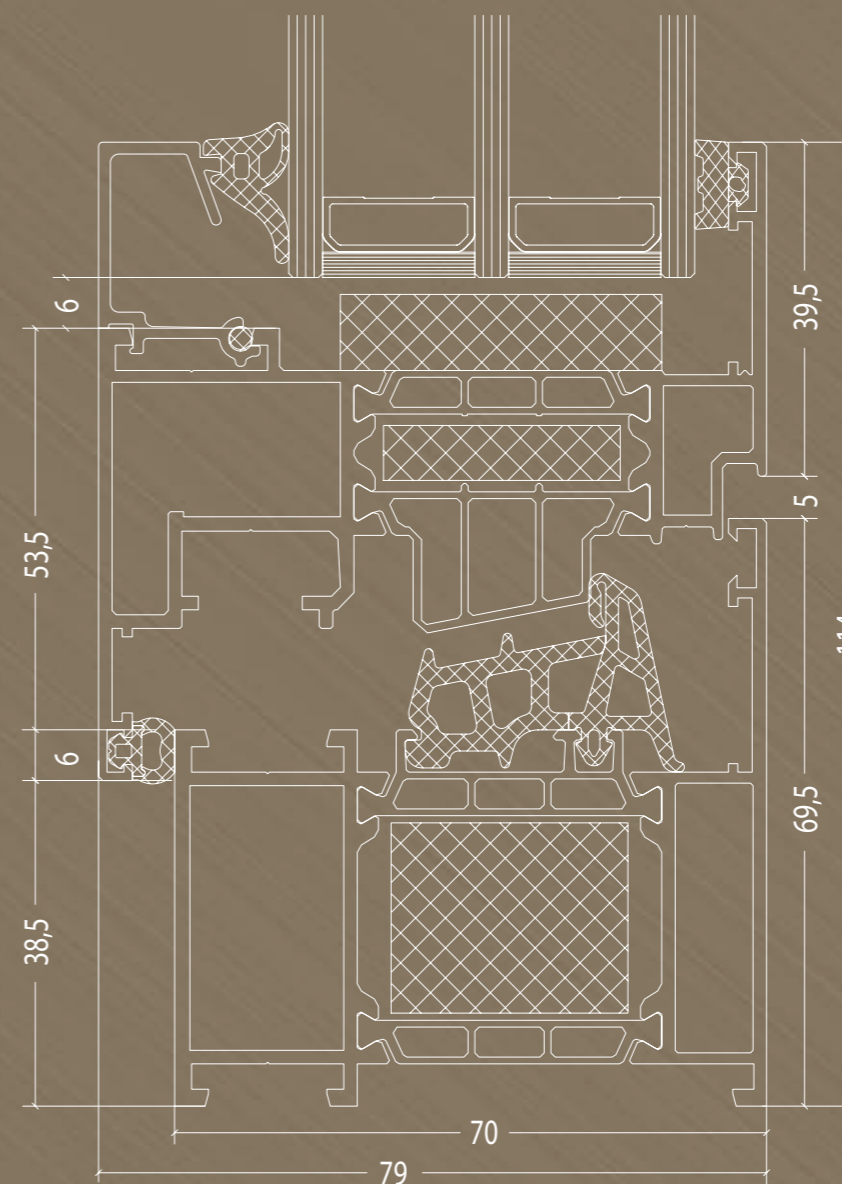
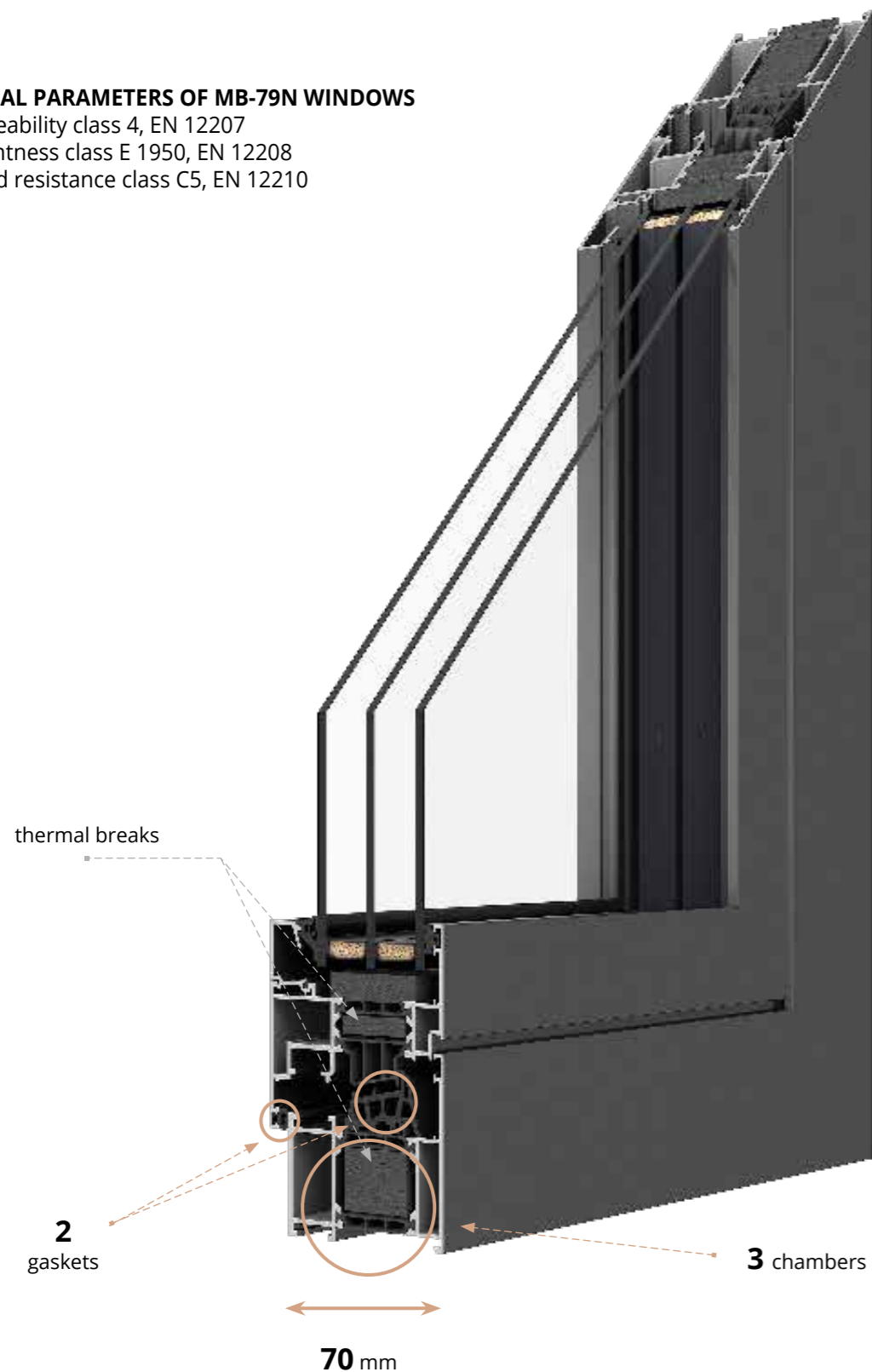
* recommended for internal use – no thermal break

MB-79N | WINDOW AND DOOR SYSTEM

MB-79N is an economical window and door system. It was introduced to meet increased thermal insulation requirements. In addition to the economical **MB-79N E** version with a single-component central gasket in windows and the **MB-79N ST** version with a two-component central gasket, the product is also available in the **MB-79N SI** variant with the best thermal insulation, featuring profiles equipped with insulating inserts and a two-component central gasket. For external doors, the **MB-79N SI+** variant is also available, featuring insulating inserts inside the profiles and a central gasket. The system is designed for constructions such as fixed windows, side-hung windows, tilt windows, tilt-and-turn windows, tilt-and-slide windows, as well as single and double external doors and shopfront solutions with doors.

TECHNICAL PARAMETERS OF MB-79N WINDOWS

Air permeability class 4, EN 12207
Watertightness class E 1950, EN 12208
Wind load resistance class C5, EN 12210



MB-79N SI
/ WINDOW /

- thermal breaks made of innovative material with a new shape, enabling the use of a gasket in the profile insulation zone in both windows and doors
- 3 thermal variants for window constructions (MB-79N E, MB-79N ST, MB-79N SI) and 4 variants for doors (MB-79N E, MB-79N ST, MB-79N SI and MB-79N SI+)
- construction meeting the requirements of the WT 2021 Technical Conditions for windows (0.9 W/(m²K)) and doors (1.3 W/(m²K))
- a wide glazing range with double- or triple-glazed units allows the use of all common glass types, including acoustic or burglar-resistant glass
- possibility of using renovation and adaptation frames

MB-79N

3
chambers

2
gaskets

70
installation depth
/ mm /

62
glazing thickness
/ mm /

0,79*
U_w for U_g=0,5 W/(m²K)

* for glazing unit with Swisspacer
warm-edge spacer

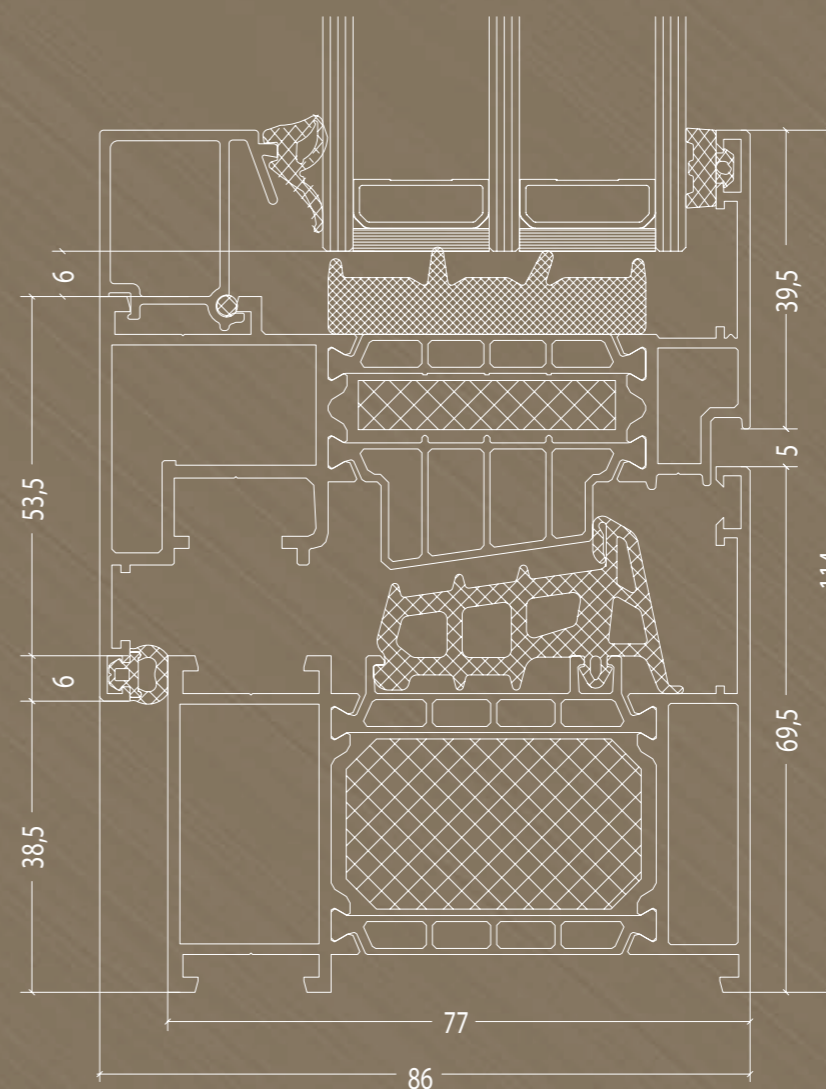
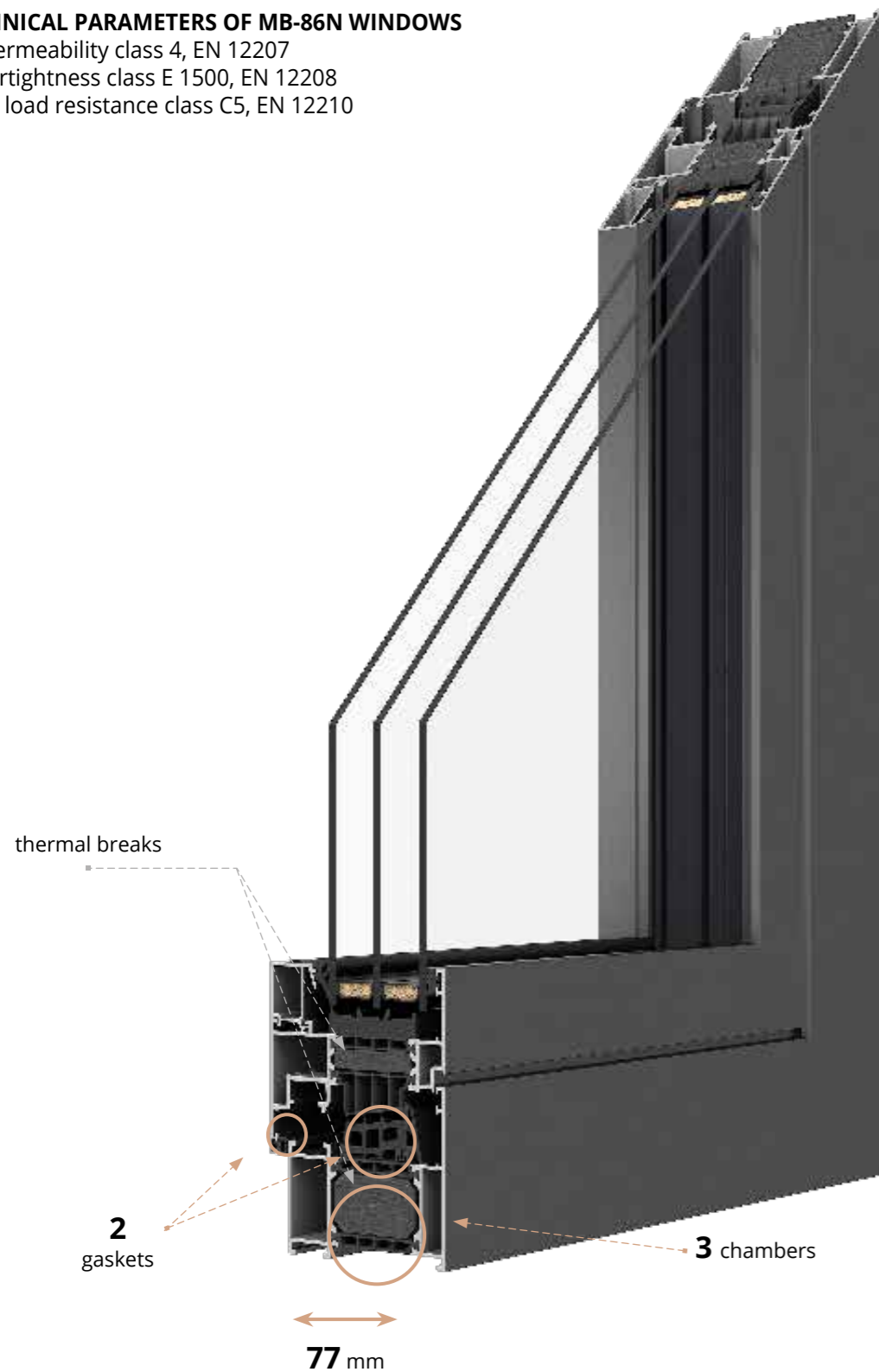
APPLICATION
EXTERNAL
INTERNAL

MB-86N | WINDOW AND DOOR SYSTEM

MB-86N is a system with very good performance parameters, meeting various user needs, including energy efficiency. The profile construction is available in two versions depending on thermal energy saving requirements: **ST** and **SI**. MB-86N offers excellent thermal and tightness performance. The system is designed for constructions such as fixed windows, side-hung windows, tilt windows, tilt-and-turn windows, tilt-and-slide windows, as well as single and double external doors and shopfront solutions with doors.

TECHNICAL PARAMETERS OF MB-86N WINDOWS

Air permeability class 4, EN 12207
Watertightness class E 1500, EN 12208
Wind load resistance class C5, EN 12210



MB-86N SI
/ WINDOW /

- wide thermal breaks with a new shape, significantly improving thermal insulation
- a wide range of profiles ensures the required aesthetics and structural strength
- a two-component central gasket perfectly seals and thermally insulates the space between the sash and the frame
- a wide glazing range with double- or triple-glazed units allows the use of all common glass types, including acoustic or burglar-resistant glass
- construction meeting the requirements of the WT 2021 Technical Conditions for windows (0.9 W/(m²K)) and doors (1.3 W/(m²K))
- possibility of using renovation and adaptation frames

MB-86N

3
chambers

2
gaskets

77
installation depth
/ mm /

69
glazing thickness
/ mm /

0,76*
Uw for Ug=0,5 W/(m²K)

* for glazing unit with Swisspacer
warm-edge spacer

APPLICATION
EXTERNAL
INTERNAL



**FIRE PROTECTION
SYSTEMS**

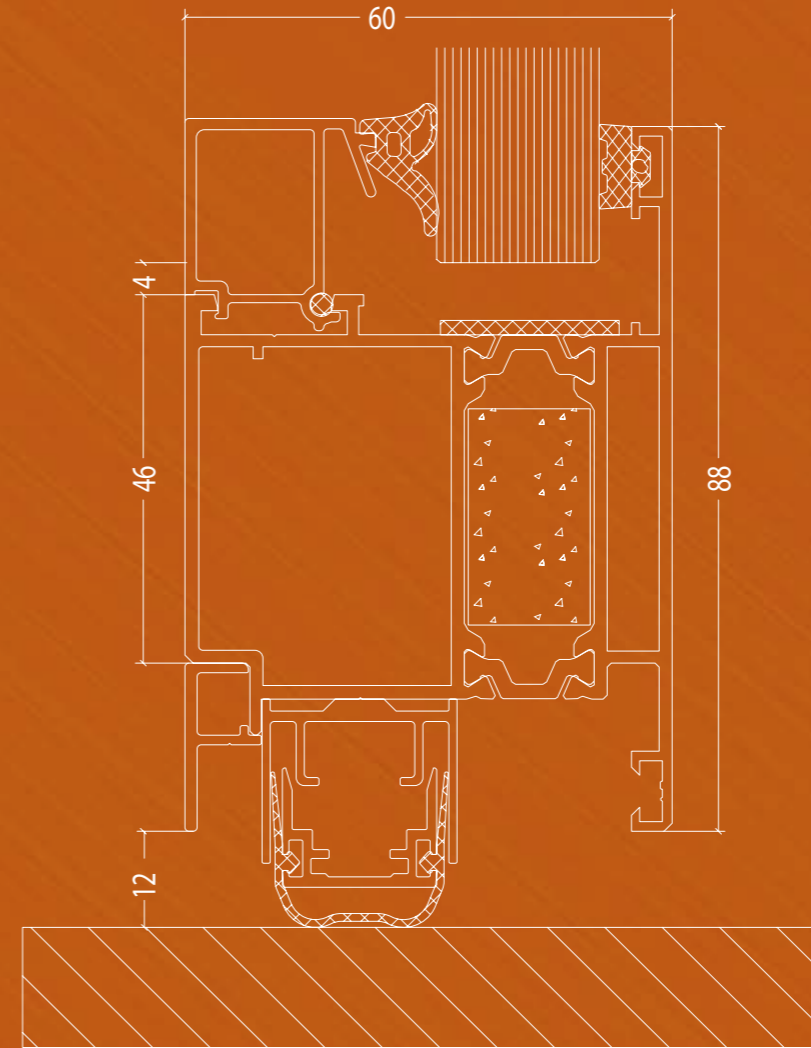
WC / ITB - KOT

MB-60E EI | FIRE DOORS AND FIRE PARTITIONS

MB-60E EI is an economical system for partition walls and fire doors. It is designed for internal fire-rated partitions with single and double-leaf doors.

TYPES OF CONSTRUCTIONS

Available solutions: single- and double-leaf doors, opening outwards and inwards, as well as partition walls.



MB-60 EI 30
/ DOOR /

- fire protection system based on MB-60
- system manufactured in EI30 fire resistance class
- product range: single- and double-leaf doors, doors with sidelights, and partition walls (according to ITB – KOT)
- possibility of using all typical EI30 fire-rated glazing units from 20 to 41 mm
- profile construction depth: 60 mm
- glazing with beads installed from the inside



MB-60E EI

60
installation depth
/ mm /

41
glazing thickness
/ mm /

APPLICATION
INTERNAL

 fire resistance class

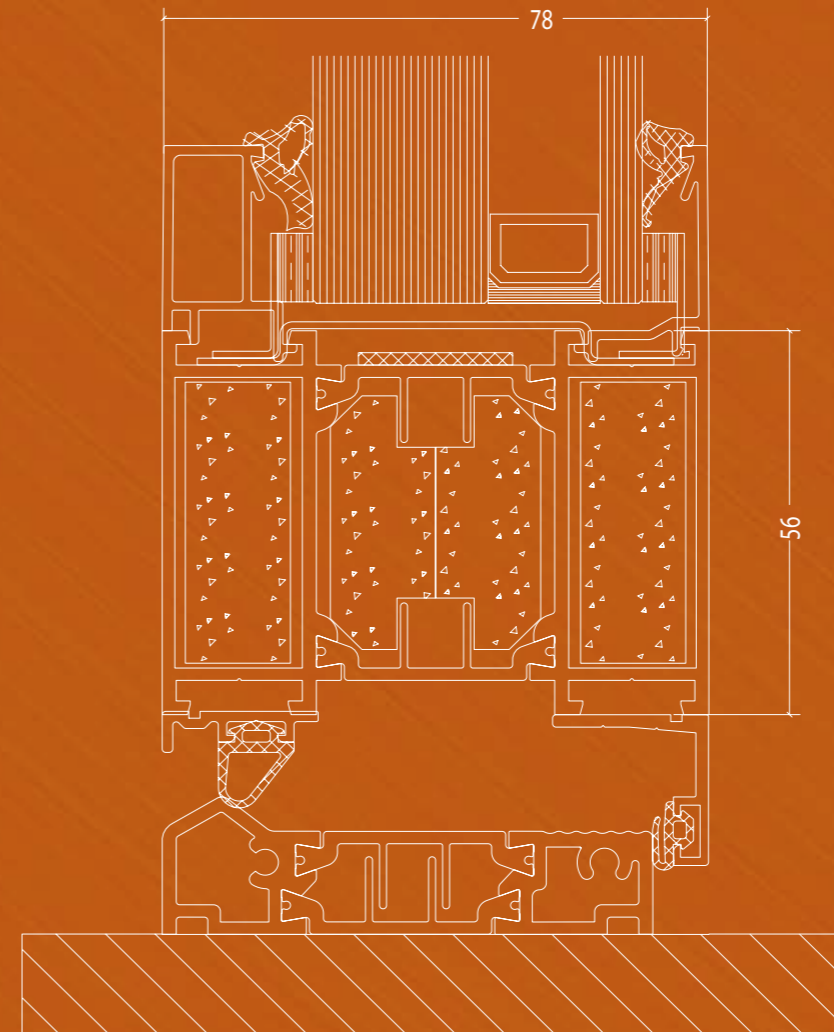
EI30

MB-78 EI | FIRE DOORS AND FIRE PARTITIONS

MB-78EI is a system designed for internal or external fire-rated partitions. The system is based on thermally insulated aluminium profiles characterized by a low heat transfer coefficient, achieved through the use of specially shaped thermal breaks. The structure's resistance to high temperatures is ensured by special fire-insulating elements placed in the internal chambers of the profiles and in the insulation spaces between them, as well as steel accessories and connectors.

TECHNICAL PARAMETERS MB-78 EI

Air permeability class 2, PN:EN 12207:2017
Watertightness class 5A, PN:EN 12208:2001



- system manufactured in EI30 and EI60 fire resistance classes
- product range: single- and double-leaf doors, doors with sidelights, and partition walls (according to ITB-KOT)



MB-78 EI

78
installation depth
/ mm /

72
glazing thickness
/ mm /

od 1,6
Uw for Ug=0,5 W/(m2K)

APPLICATION
EXTERNAL
INTERNAL

 fire resistance class

EI30 / EI60 / EI90

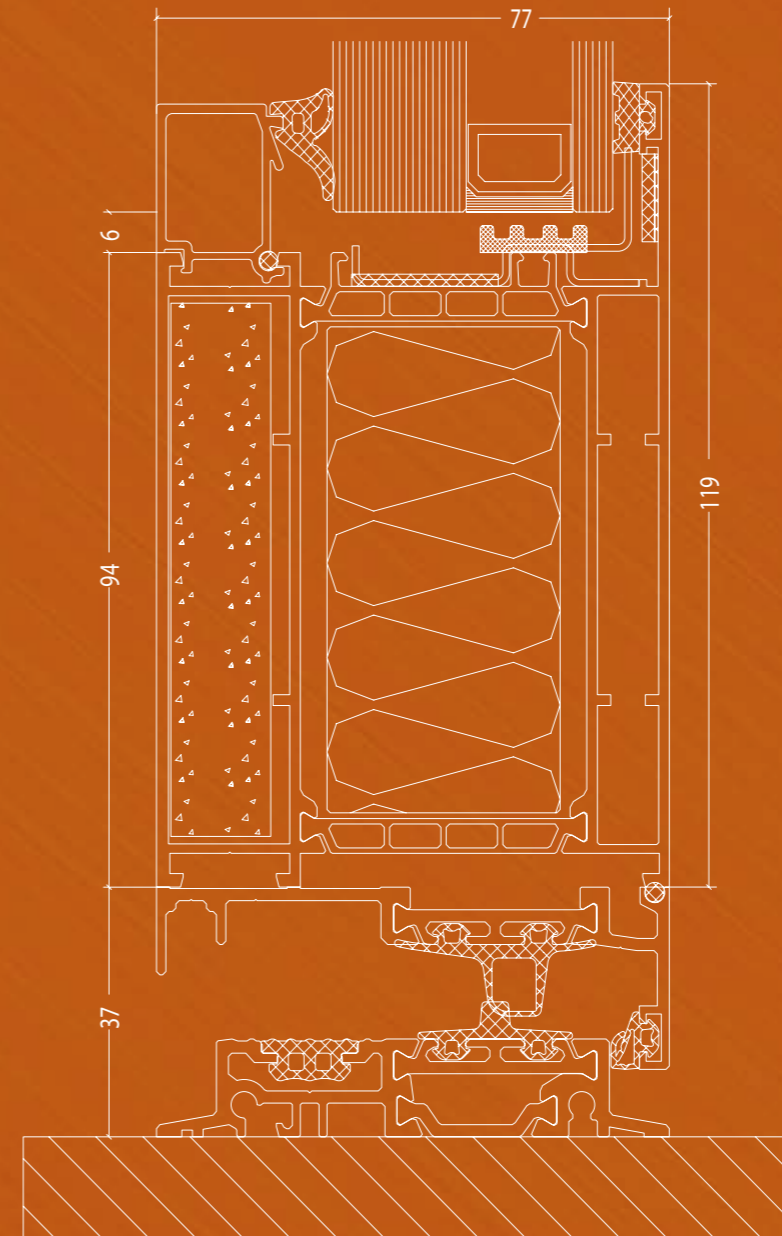
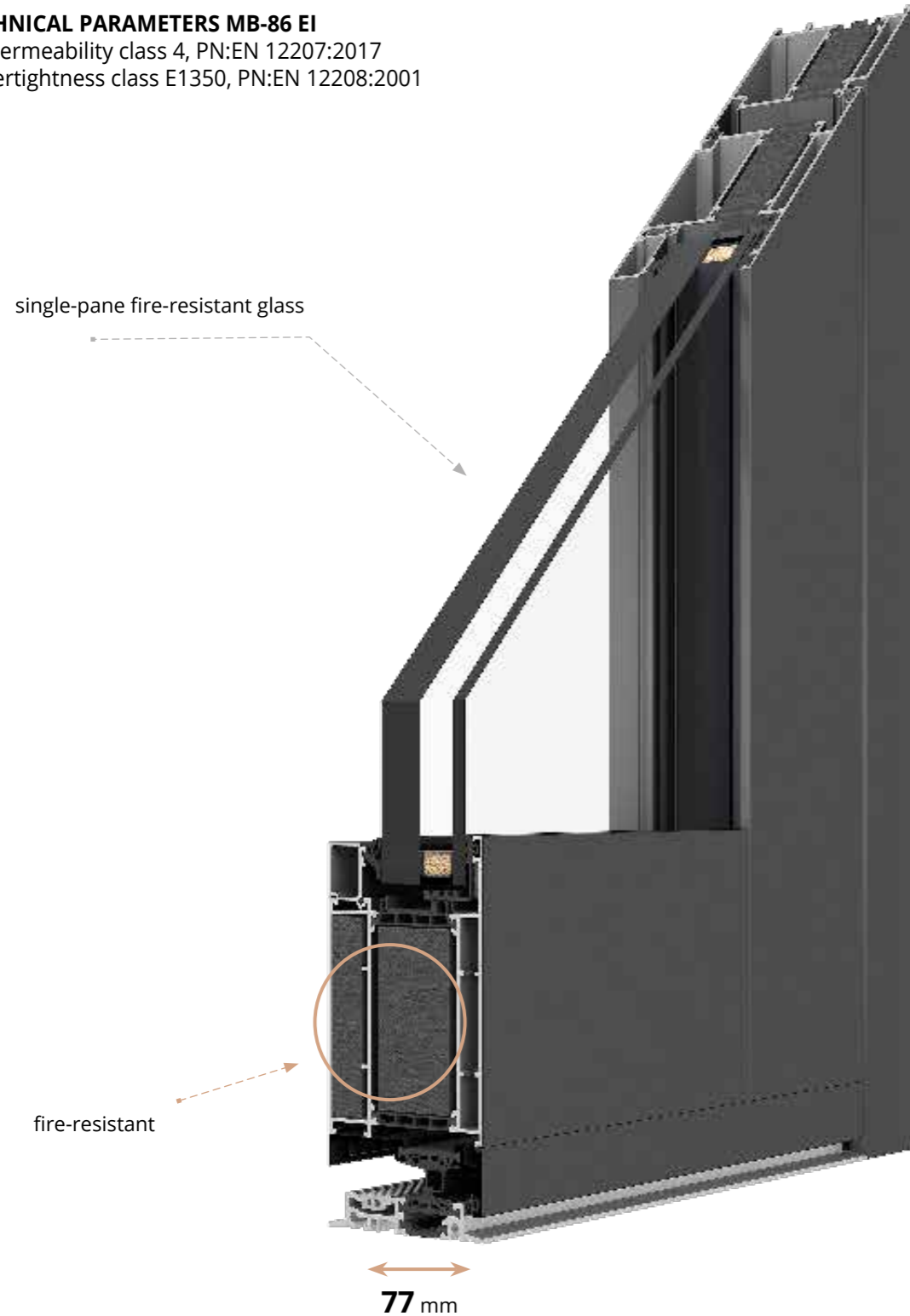
MB-86 EI | FIRE DOORS, FIRE WINDOWS AND FIRE PARTITIONS

MB-86EI is a system designed for external fire-rated partitions. The construction is based on the MB-86N system, providing high thermal and acoustic insulation as well as excellent air and water tightness. The MB-86 EI system combines the advantages of a classic window and door system with the properties of fire-resistant partitions in terms of thermal, functional, strength, and production technology parameters. Constructions made with this system meet all requirements of applicable regulations and standards, particularly regarding energy efficiency and environmental protection, while ensuring appropriate fire safety. The system is classified as non-fire-spreading (NRO).

TECHNICAL PARAMETERS MB-86 EI

Air permeability class 4, PN:EN 12207:2017

Watertightness class E1350, PN:EN 12208:2001



MB-86 EI 30
/ DOOR /

- system manufactured in EI30 fire resistance class
- profiles with a three-chamber design, where the central part is an insulating chamber between the thermal breaks
- a wide range of possible glazing thicknesses allows the use of various types of glass



MB-86 EI

77
installation depth
/ mm /

70
glazing thickness
/ mm /

Ud **0,86***
Uw for Ug=0,5 W/(m2K)

* for glazing unit
with warm-edge spacer

APPLICATION
EXTERNAL

 fire resistance class

EI30

FOILS – RAL REFERENCE COLOURS



The printout may differ from reality.

GLASS

Our offer includes many types of glass, which are characterized by the highest quality of workmanship. Choose glass for your windows that will meet your expectations and which will add a unique character to the interior.

We have been producing glazing packages since 1994. We have a modern glass tempering plant and our own research laboratories, which ensure the highest quality of the glazing units that we produce.

The glazing units can be equipped with special capillaries that equalize the pressure inside the glazing with atmospheric pressure. Thanks to this solution, the glazing units will work perfectly in seaside locations as well as those located high in the mountains.



Safety
Possibility of using a thermal coating.



Satin matt



Stopsol brown 6 mm



Stopsol blue 6 mm



Ornament Chinchilla



Ornament Delta



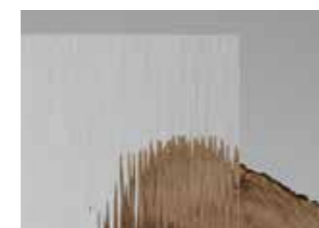
Ornament Silvit



Ornament Cathedral



Ornament Master Carre



Ornament silvit



Antisol green
4 or 6mm



Antisol brown
4 or 6mm



Antisol grey



Antisol blue
4 or 6mm



Float 4, 6, 8, 10 mm
Possibility of using a thermal coating.



Mirastar

The printout may differ from reality.

* To perform sandblasting, contact the Drutex technological department or ask your dealer.

WARM EDGE SWISSPACER ULTIMATE

no extra charge



White
RAL 9016



Light grey
RAL 7035



Gray
RAL 9023



Light brown
RAL 8003



Dark brown
RAL 8014



Black
RAL 9005



More details
you will find in
our catalogue



up to 7000
windows daily



4000
employees



650
vehicles



118 Tsd. m²
surface production

SINCE 1985

FAST DELIVERY - 7 DAYS

