



DRUTEX

WINDOWS DOORS SHUTTERS GATES



Quality

The latest technology, the best materials and production controlled at every stage as well as our own research laboratories guarantee the highest quality.



Service

Professional and fast service is the hallmark of Drutex, which has been setting trends in pre- and post-sales customer service for years.



Security

Doors are equipped with reliable fittings and locks that ensure their safe use.



Smart Home

Intelligent control of doors, windows, roller shutters, façade blinds, mosquito nets, gates, wickets and lighting using a smartphone.



Official Partner of FC Bayern

ul. Leszka Gierszewskiego 1, 77-100 Bytów
+48 59 822 91 01

— SINCE 1985 —

The information presented in this advertising material is for informational and illustrative purposes only. Product specifications should be subject to verification with the technical data specified by the manufacturer.



PVC WINDOWS

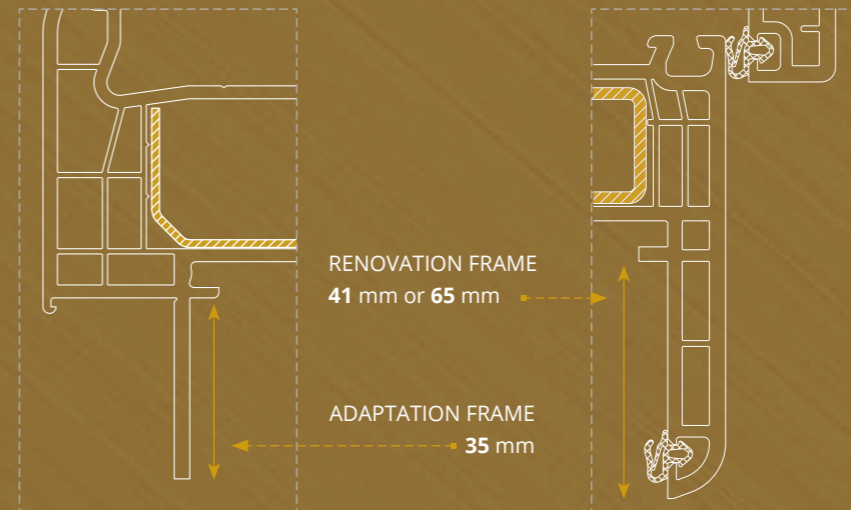
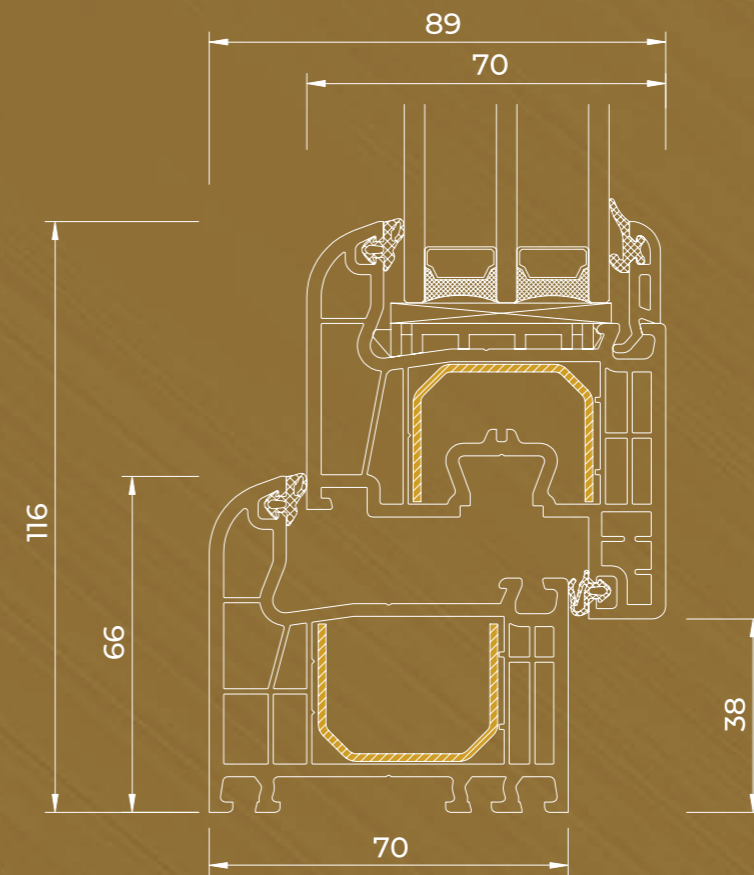
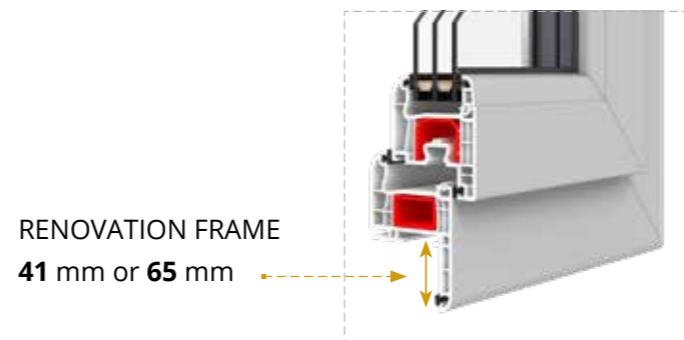
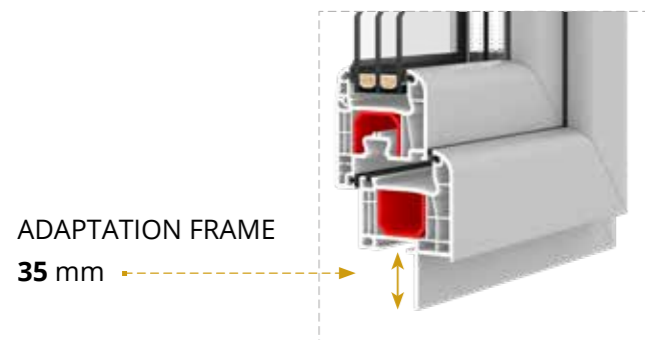
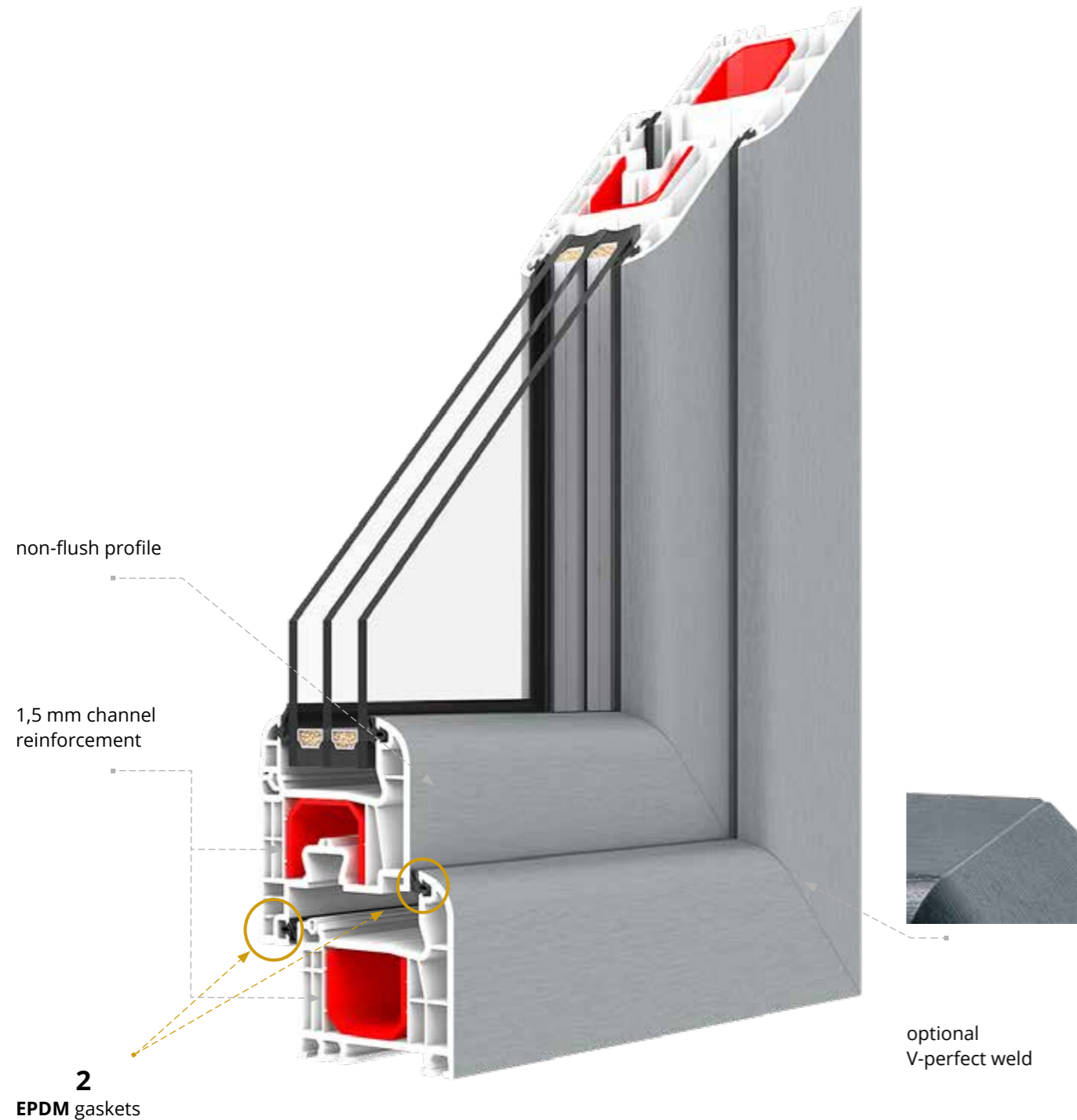
BORN OF PASSION
AND EXPERIENCE



BUSINESS PARTNER

IGLO 5 CLASSIC

The profile has a 5-chamber structure with a 70 mm installation depth. It has steel reinforcement of the sash and frame. The window is equipped with double EPDM seal: external and internal.



- MACO fittings with 2 anti-burglary catches
- argon-filled glazing unit
- glazing with packages in the range of 24-40 mm
- galvanized steel frame or Swisspacer Ultimate warm edge
- microventilation
- aluminum handle
- black or grey EPDM perimeter and glazing seals
- wide range of PVC veneer colors
- white profile color (brown or anthracite optional)
- sash lifter (blocks incorrect handle position - depending on the window height)
- gasket filling the lower fitting groove
- 1,5 mm steel reinforcement of the frame and door leaf (2 mm in the case of the balcony door leaf) in the C-shaped channel reinforcement

IGLO 5 CLASSIC

5
chambers

2
EPDM gaskets

70
installation depth
/ mm /

0,83*
Uw for Ug=0,6 W/(m²K)

* Value determined by calculation for the reference window with a 4th/14/4/14/4th glazing unit

R
renovation frame
41 mm lub 65 mm

A
adaptation frame
35 mm

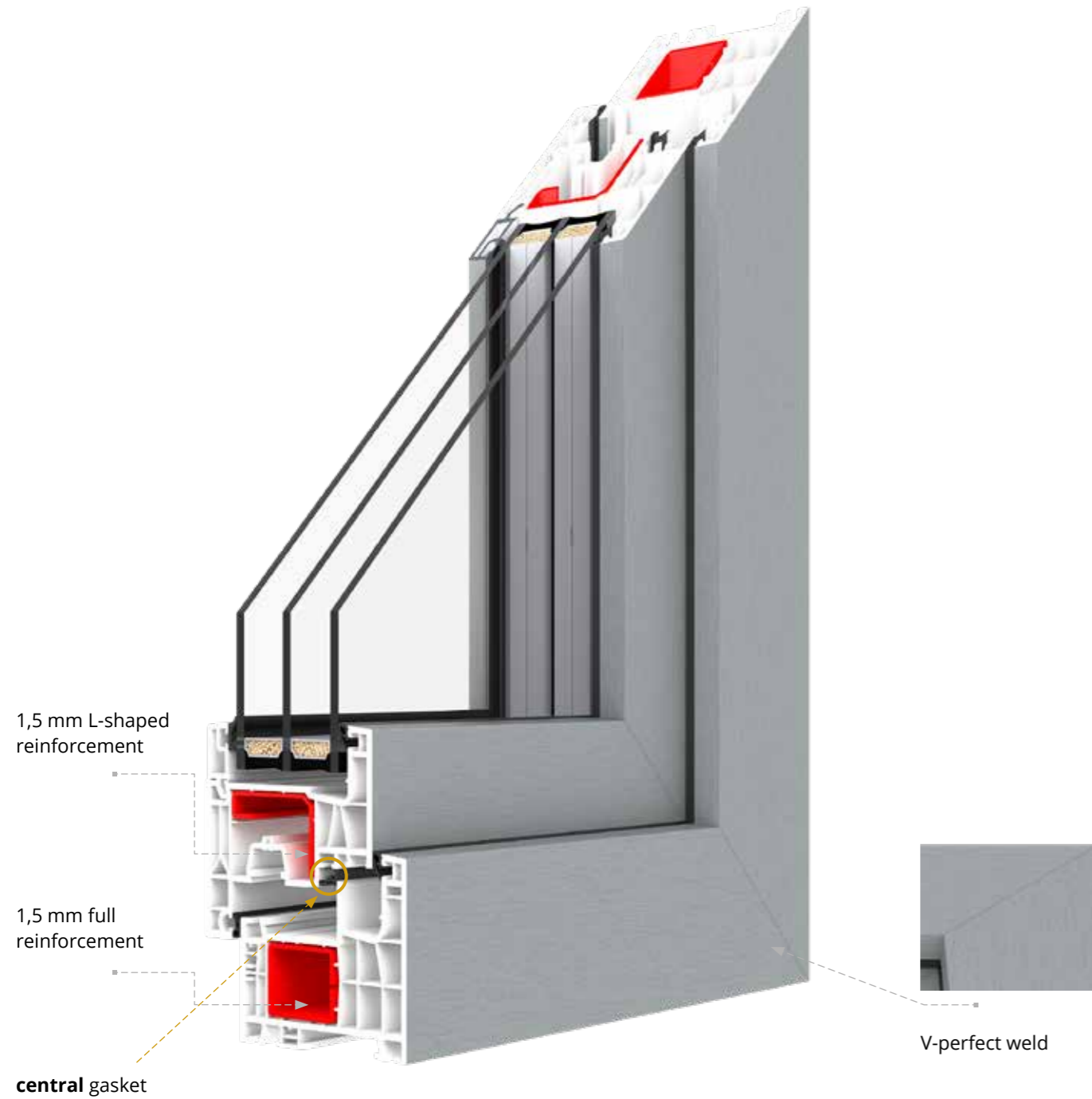
Class profile

A

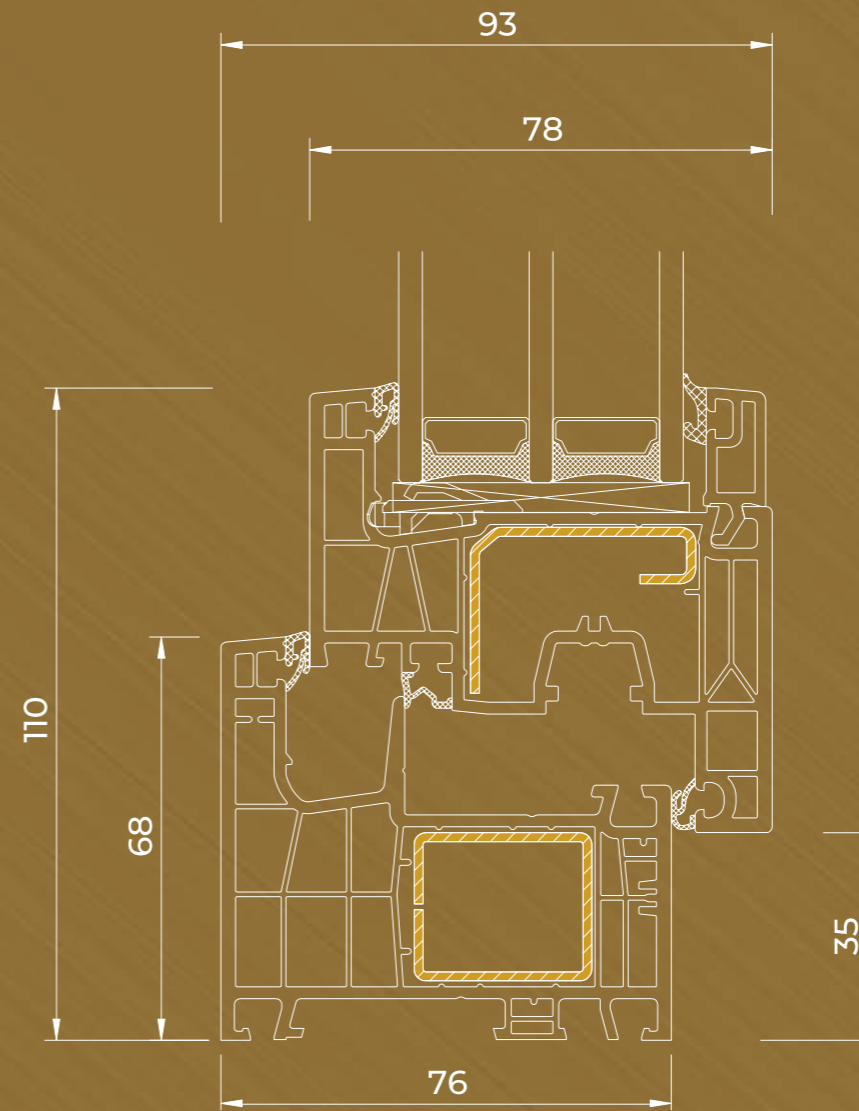
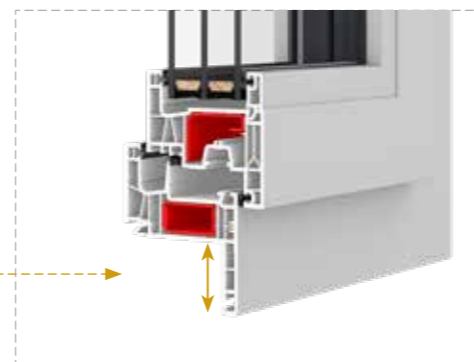


IDEAL NEO MD aluplast®

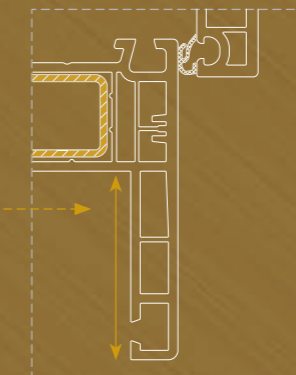
The profile has a 6-chamber structure with a depth of 76 mm. It has a steel reinforcement of the sash and frame. The window is triple sealed.



RENOVATION FRAME 40 mm or 70 mm



RENOVATION FRAME 40 mm or 70 mm



- ROTO fittings
- 4 anti-burglary catches
- argon-filled glazing unit
- glazing with packages in the range of 24-54 m
- galvanized steel frame or Swisspacer Ultimate warm plastic edge
- microventilation
- aluminum handle
- perimeter and glazing seals in black or grey color
- wide range of PVC veneer colors
- white profile color (brown or anthracite optional)
- sash lifter (blocks incorrect handle position - depending on the window height)
- gasket filling the lower fitting groove
- 1,5 mm steel reinforcement of the frame and door leaf (2 mm in the case of the balcony door leaf)

IDEAL NEO MD

6
chambers

3
corner welded gaskets

76
installation depth
/ mm /

0,76*
Uw for Ug=0,5 W/(m²K)

* Value determined by calculation for the reference window with a 4th/18/4/18/4th glazing unit

R
renovation frame
40 mm or 70 mm

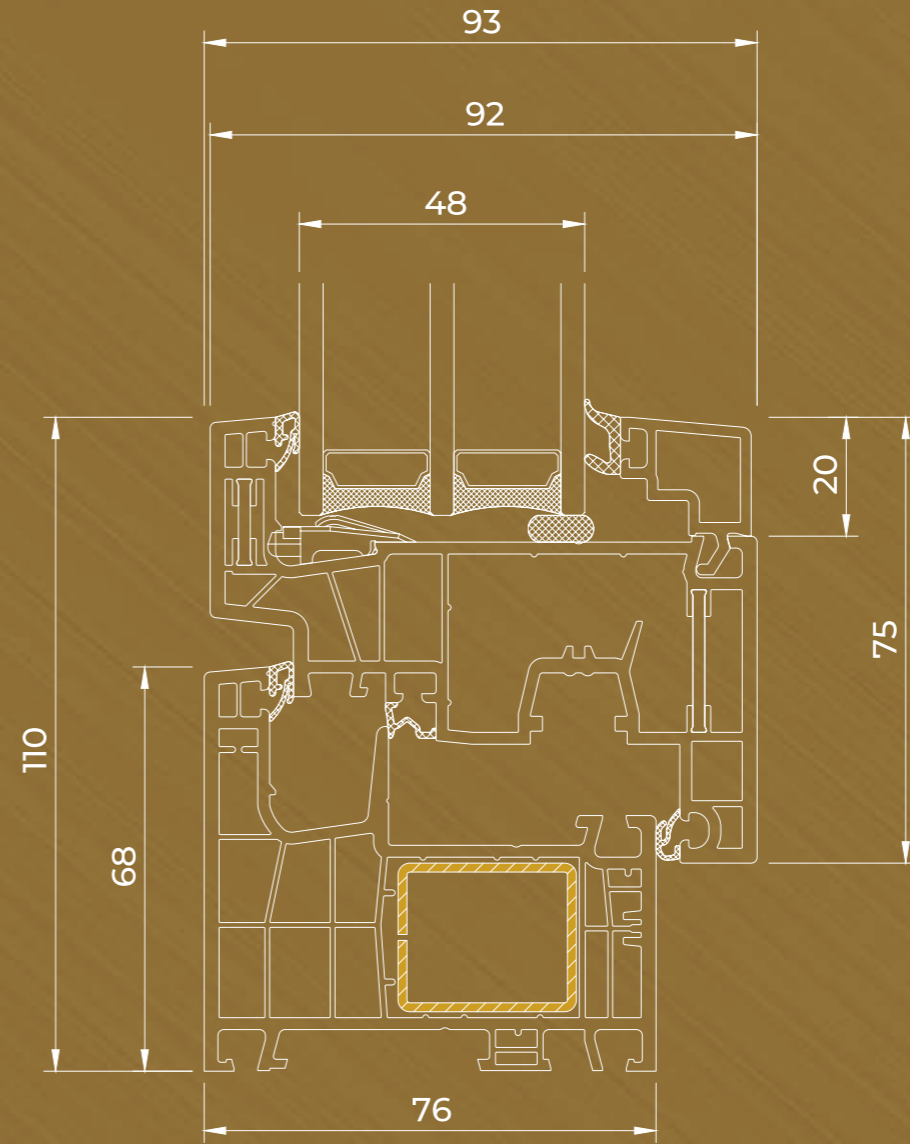
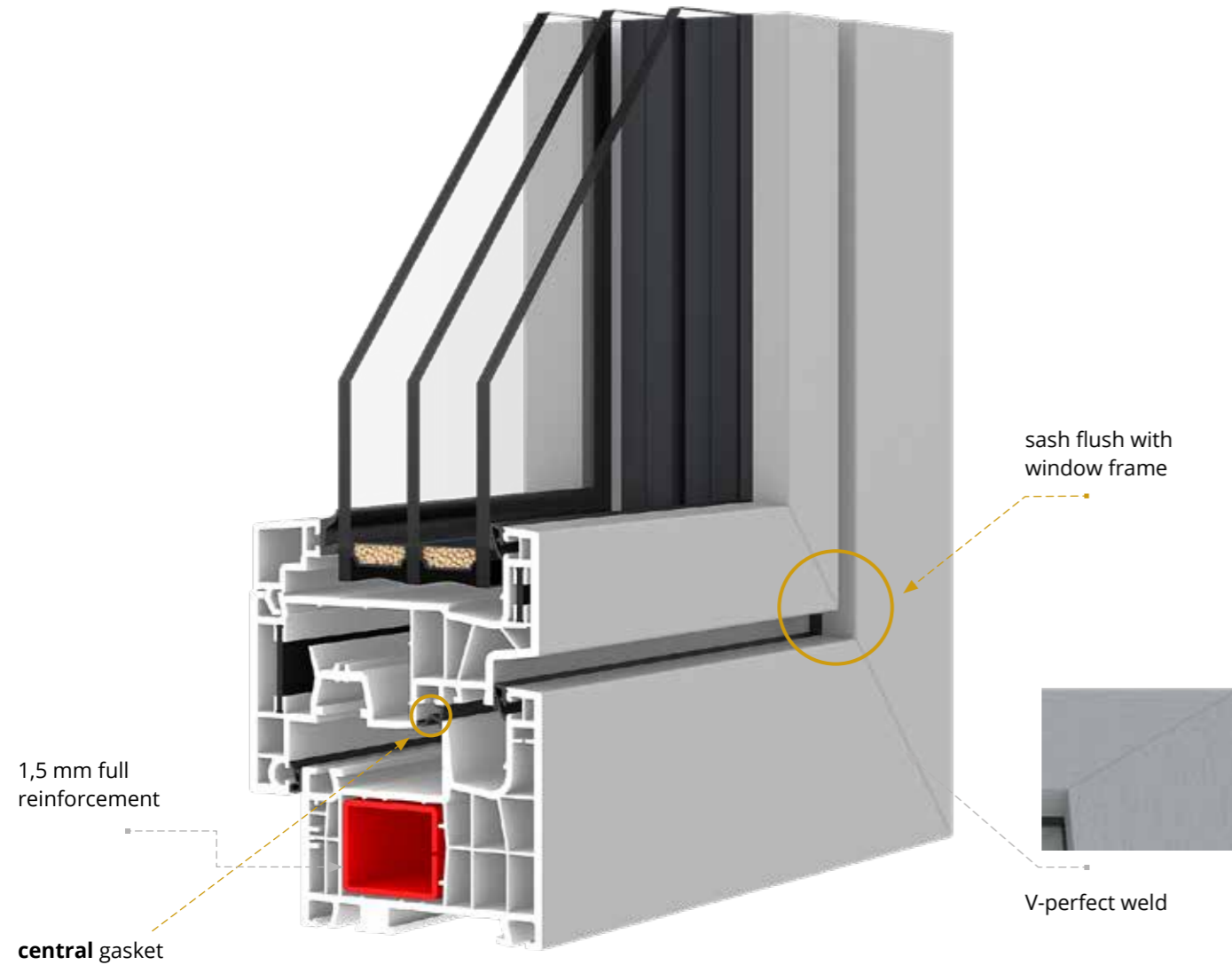
aluplast®
Class profile

B



IDEAL NEO MD-FS | aluplast®

A modern 5-chamber system with a depth of 70 mm, featuring a cubist design and a sash overlap of 108 mm. Instead of steel in the sash, it uses fiberglass inserts and bonded glazing. A visually light yet durable construction with an optional movable mullion.



- ROTO fittings
- 4 anti-theft strikers according to the size of the sash and the hardware system
- glazing with packages in the range of 36-68 mm
- argon-filled glazing unit
- Swisspacer Ultimate warm edge
- microventilation
- aluminum handle
- perimeter and glazing seals in black or grey color
- wide range of PVC veneer colors
- white profile color (brown or anthracite optional)
- handle misplacement locking mechanism
- filling of the lower hardware groove

IDEAL NEO MD-FS

6
chambers

3
corner welded gaskets

76
installation depth
/ mm /

0,73*
Uw for Ug=0,5 W/(m²K)

* Value determined by calculation for the reference window with a 4th/18/4/18/4th glazing unit

aluplast®
Class profile

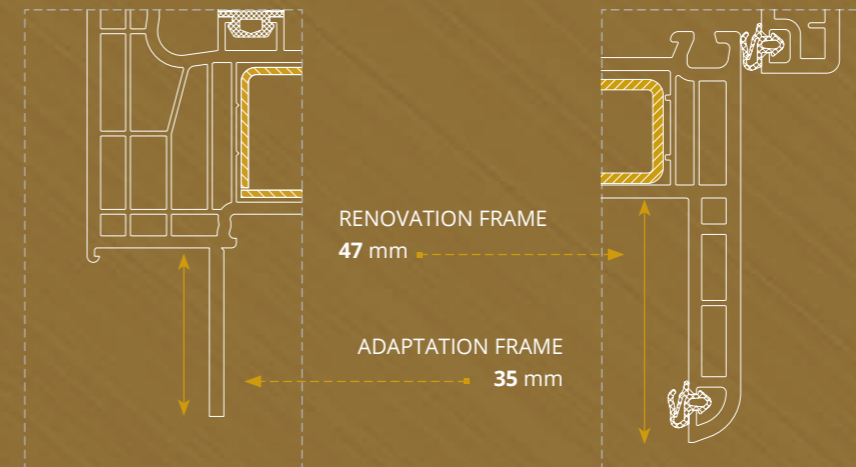
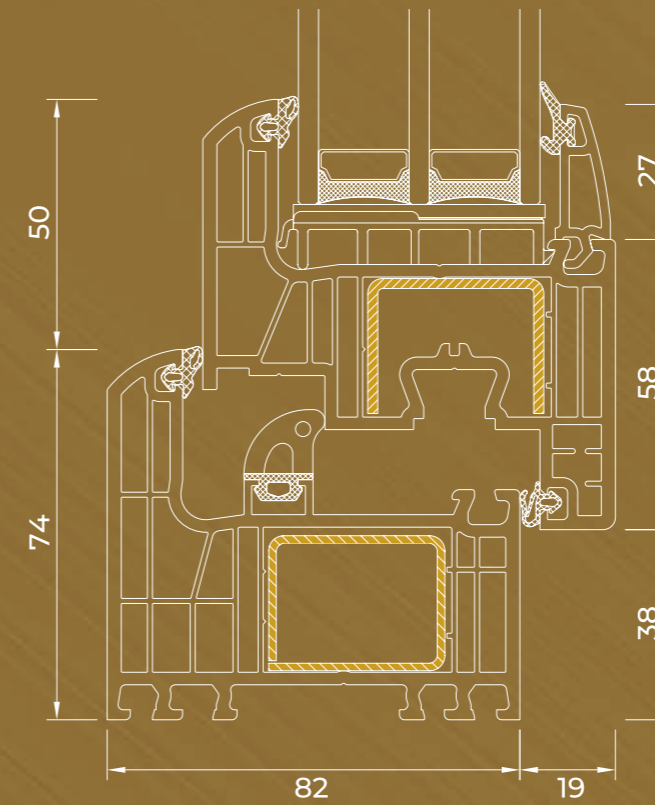
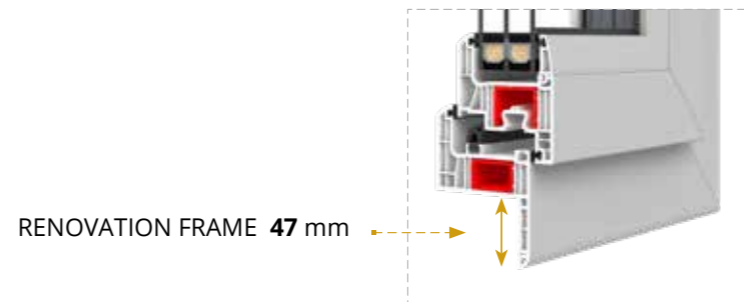
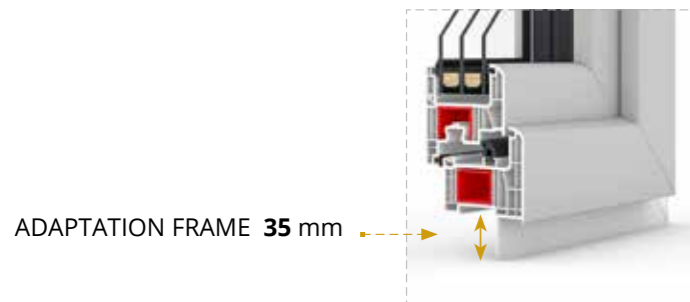
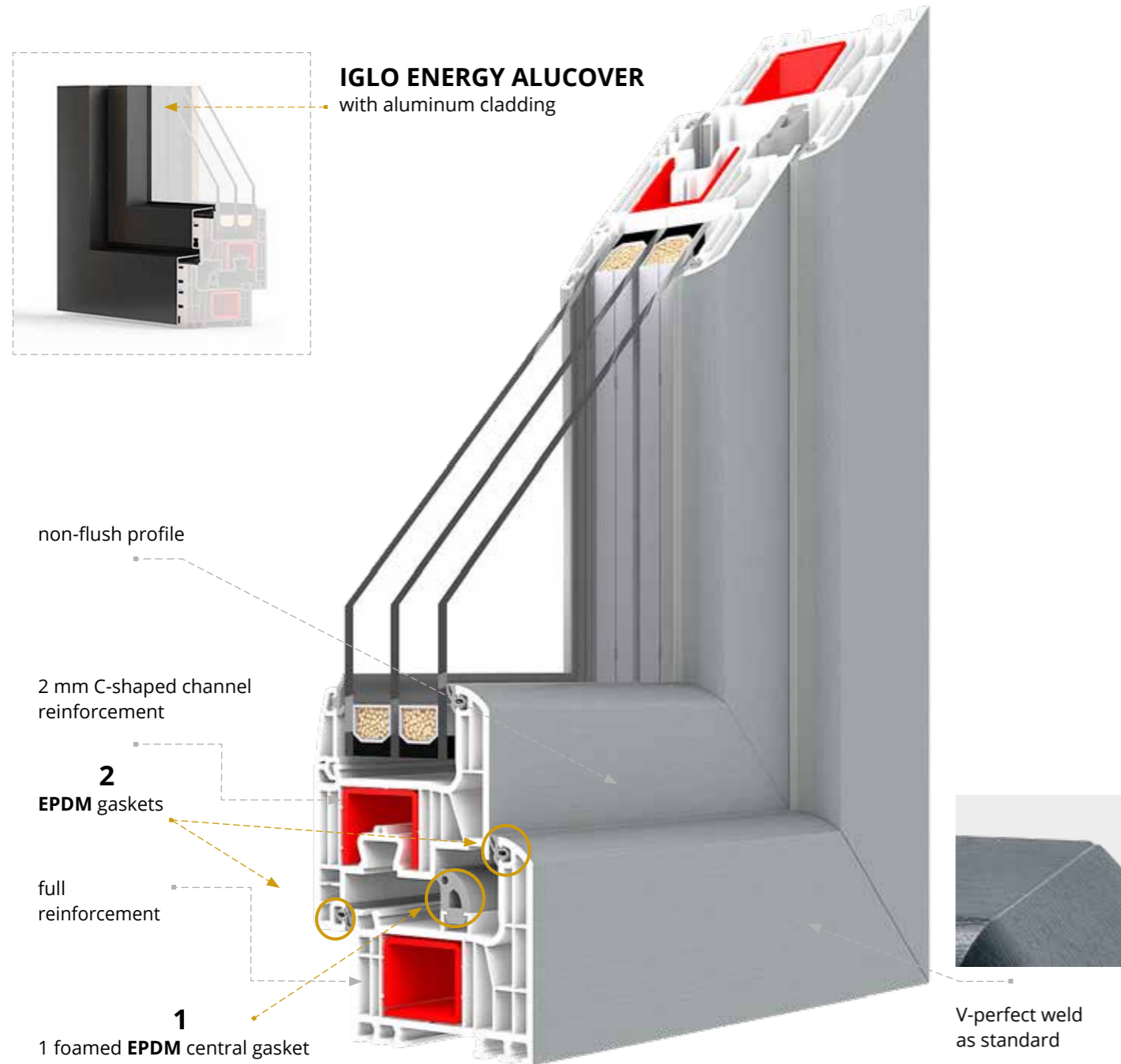
B



IGLO ENERGY CLASSIC

7-chamber frame and sash profiles, with a construction depth of 82 mm. The system is equipped with a specially designed triple seal: external and internal made of EPDM and central one made of foamed EPDM.

The system is also available in the **Alucover** version, featuring an external aluminium cladding that enhances the window's resistance to external factors while also improving its structural rigidity.



- MACO fittings with 4 anti-burglary catches
- glazing with packages in the range of 24-52 mm
- argon-filled glazing unit
- galvanized steel frame or Swisspacer Ultimate warm plastic edge
- microventilation
- aluminum handle
- black or grey EPDM perimeter, glazing and central seals
- wide range of pvc veneer colors
- 3 profile colors to choose from: white, brown or anthracite
- sash lifter (blocks incorrect handle position - depending on the window height)
- gasket filling the lower fitting groove
- full (closed) steel frame reinforcement, „c” shaped steel sash reinforcement
- 5-chamber PVC under-sill strip with a gasket

IGLO ENERGY CLASSIC

7
chambers

3
EPDM gaskets

82
installation depth
/ mm /

0,73*
Uw for Ug=0,5 W/(m²K)

* Value determined by calculation for the reference window with a 4th/18/4/18/4th glazing unit

R
renovation frame
47 mm

A
adaptation frame
35 mm

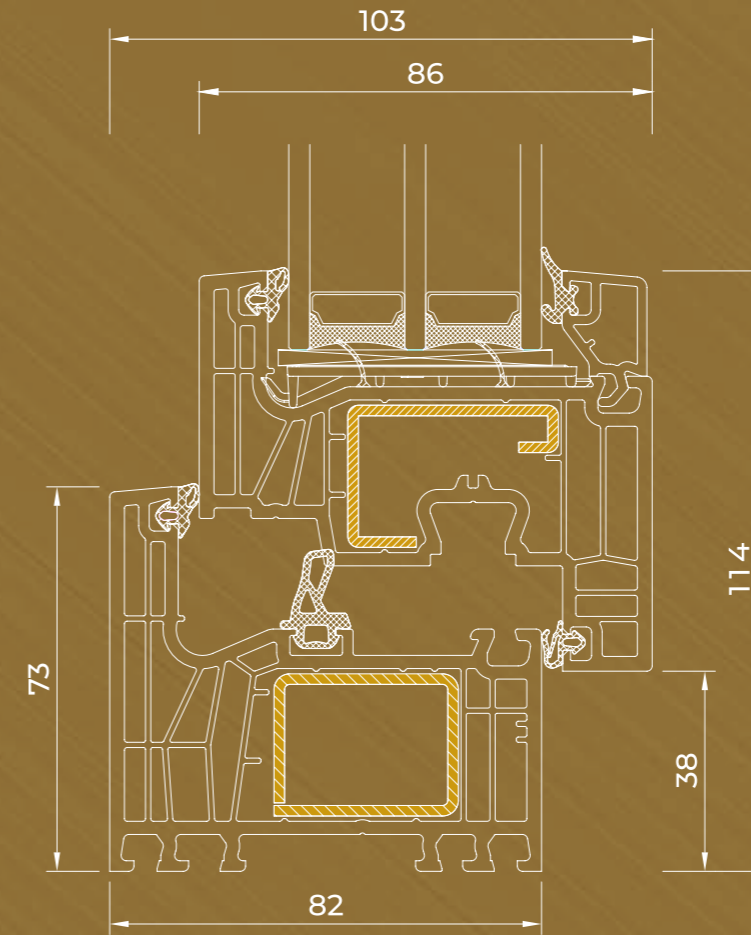
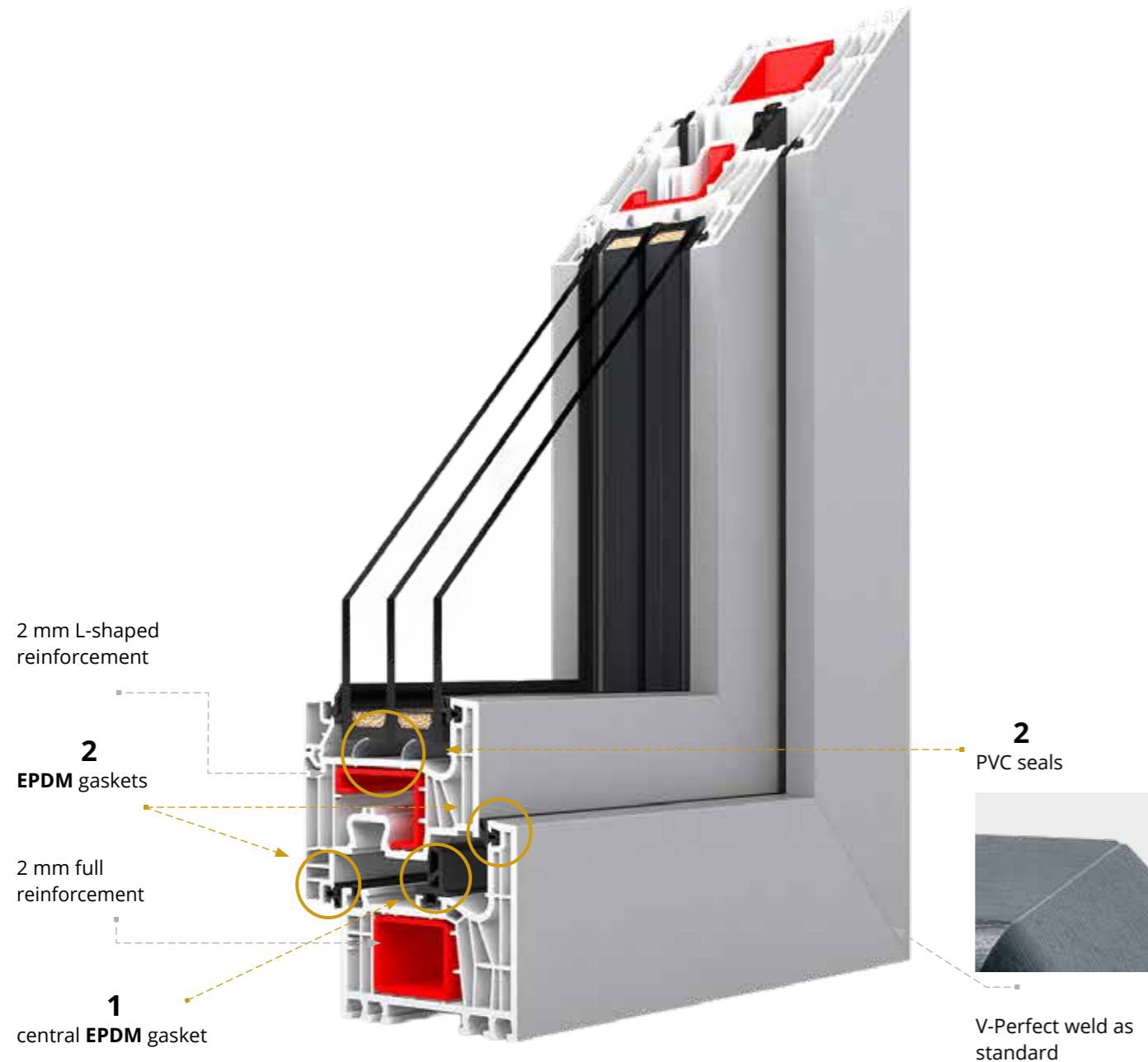
Class profile

A



IGLO EDGE

7-chamber frame and sash profiles, with an installation depth of 82 mm. The system is equipped with a specially designed triple seal: external, internal and central made of EPDM and gaskets under the glazing unit.



- MACO fittings with 4 anti-burglary catches
- glazing with packages in the range of 48-58 mm
- argon-filled glazing unit
- optional triple-glazing package with $U_g=0,4 \text{ W/(m}^2\text{K)}$
- Swisspacer Ultimate warm plastic edge (optional galvanized steel spacer)
- microventilation
- aluminum handle DUBLIN
- black or grey EPDM perimeter, glazing and central seals
- wide range of PVC veneer colors
- 3 profile colors to choose from: white, brown or anthracite
- sash lifter (blocks incorrect handle position - depending on the window height)
- gasket filling the lower fitting groove
- 2 mm full (closed) steel frame reinforcement, L-shaped steel door sash reinforcement

IGLO EDGE

7
chambers

3
EPDM gaskets

82
installation depth
/ mm /

0,73*
 U_w for $U_g=0,5 \text{ W/(m}^2\text{K)}$
TRIPLE 3-GLAZED

* Value determined by calculation for the reference window with a 4th/18/4/18/4th glazing unit

0,66*
 U_w for $U_g=0,4 \text{ W/(m}^2\text{K)}$
QUADRUPLE 4-GLAZED

* Value determined by calculation for the reference window with a 4th/18/4/18/4th glazing unit

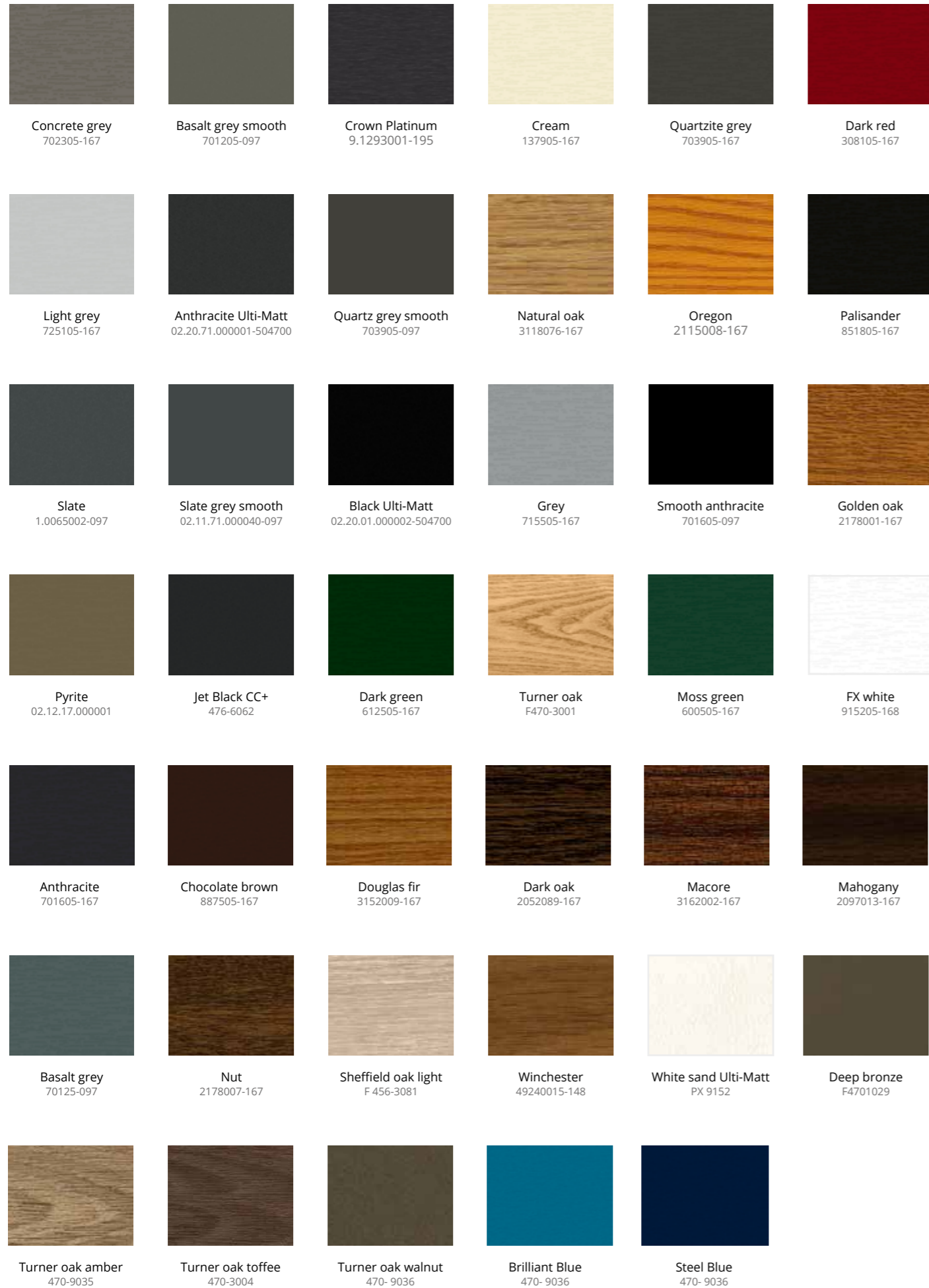
Class profile

A



FOIL COLORS SAMPLE

The printout may differ from reality.



HANDLES

The handles used in our products are made of aluminum and are distinguished not only by their elegant design, available color options, but also by their ergonomic shape. The handles can be available in options with a key or a button to prevent accidental opening (an option especially recommended for children's rooms).

ALUMINUM WINDOW AND BALCONY HANDLES

WINDOW HANDLE MISTRAL



WINDOW HANDLE NEVADA



WINDOW HANDLE SQUARE



WINDOW HANDLE DUBLIN



WINDOW HANDLE HOPPE SECUSTIK TOULON



WINDOW HANDLE HOPPE SECUFORTE TOULON



WINDOW HANDLE HOPPE SECUSTIK HAMBURG



WINDOW HANDLE HOPPE SECUFORTE HAMBURG



WINDOW HANDLE HOPPE SECUSTIK ATLANTA



WINDOW HANDLE 1033



WINDOW HANDLE MA 1010 STAINLESS STEEL



REMOVABLE WINDOW HANDLE



WITH KEY AND TBT FUNCTION



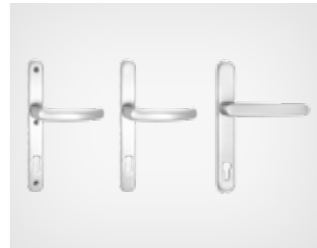
BALCONY DOOR HANDLE



BALCONY DOOR HANDLE 1033



VERANDA DOOR HANDLE



Available in colors: white, brown, silver, titanium, anthracite, black, old gold, cream*.



* Colour availability and shade may vary depending on the handle model.

GLASS

Our offer includes many types of glass, which are characterized by the highest quality of workmanship. Choose glass for your windows that will meet your expectations and which will add a unique character to the interior.

We have been producing glazing packages since 1994. We have a modern glass tempering plant and our own research laboratories, which ensure the highest quality of the glazing units that we produce.

The glazing units can be equipped with special capillaries that equalize the pressure inside the glazing with atmospheric pressure. Thanks to this solution, the glazing units will work perfectly in seaside locations as well as those located high in the mountains.



Safety
Possibility of using a thermal coating.



Satin matt



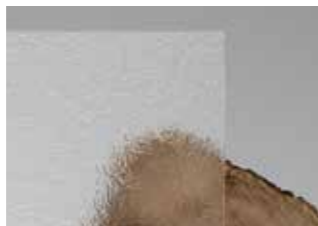
Stopsol brown 6 mm



Stopsol blue 6 mm



Ornament Chinchilla



Ornament Delta



Ornament Silvit



Ornament Cathedral



Ornament Master Carre



Waterfall 105



Antisol green
4 lub 6mm



Antisol brown
4 lub 6mm



Antisol grey



Antisol blue



Float 4, 6, 8, 10 mm
Possibility of using a thermal coating.



Mirastar

WARM EDGE

SWISSPACER ULTIMATE

no extra charge



White
RAL 9016



Light grey
RAL 7035



Gray
RAL 9023



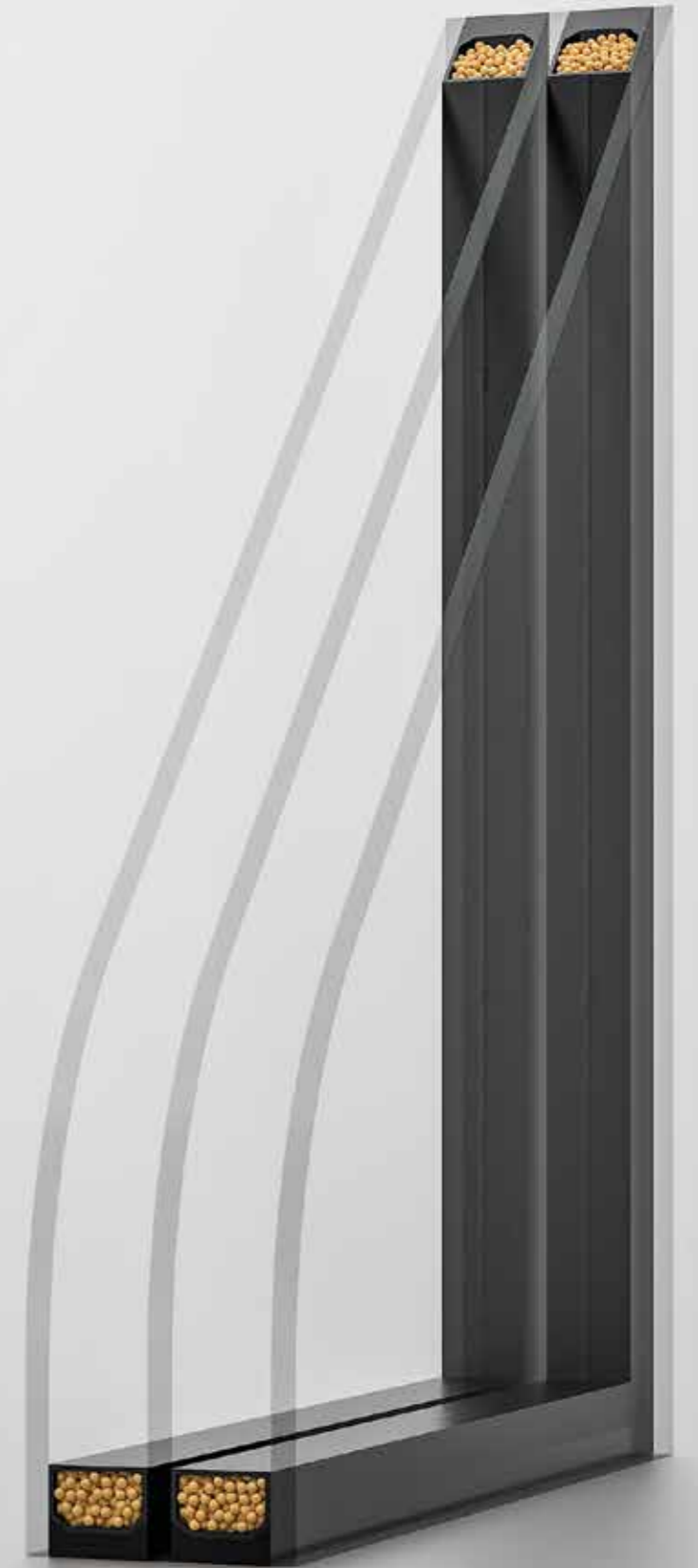
Light brown
RAL 8003



Dark brown
RAL 8014



Black
RAL 9005



More details
you will find in
our catalogue





NEW

D-ART LINE

energy efficient and modern doors



NEW

D-GATE

sectional gates





Technical data IGLO 5 CLASSIC

Number of chambers 5

Installation depth 70 mm

Number of gaskets 2

Thermal transmittance
Uw = 0,83 W/(m²K)*
*For a window measuring 1230x1480 mm, with steel reinforcement and the argon gas-filled glass package Ug = 0,6 W/(m²K), with the Swisspacer plastic spacer bar.



IDEAL NEO MD

6

76 mm

3

Uw = 0,76 W/(m²K)*
*For a window measuring 1230x1480 mm, with the argon gas-filled glass package Ug = 0,5 W/(m²K), with the Swisspacer plastic spacer bar.



IDEAL NEO MD-FS

6

76 mm

3

Uw = 0,73 W/(m²K)*
*For a window measuring 1230x1480 mm, with the argon gas-filled glass package Ug = 0,5 W/(m²K), with the Swisspacer plastic spacer bar.



IGLO ENERGY CLASSIC

7

82 mm

3

Uw = 0,73 W/(m²K)*
*For a window measuring 1230x1480 mm, with steel reinforcement and the argon gas-filled glass package Ug = 0,5 W/(m²K), with the Swisspacer plastic spacer bar.



IGLO EDGE

7

82 mm

3

Uw = 0,66 W/(m²K)*
*For a window measuring 1230x1480 mm, with steel reinforcement and the argon gas-filled glass package Ug = 0,4 W/(m²K), with the Swisspacer Ultimate plastic spacer bar.

Glass packages 24-40 mm 24-52 mm 36-68 mm 48-58 mm

Sound insulation 34-43 dB 36-47 dB 36 dB 36-47 dB



Learn more about our entire offer.



up to 7000 windows daily



4000 employees



650 vehicles



118 Tsd. m² surface production

SINCE 1985

FAST DELIVERY TIME

